



# FIRST-PAK<sup>™</sup>

---

## AC

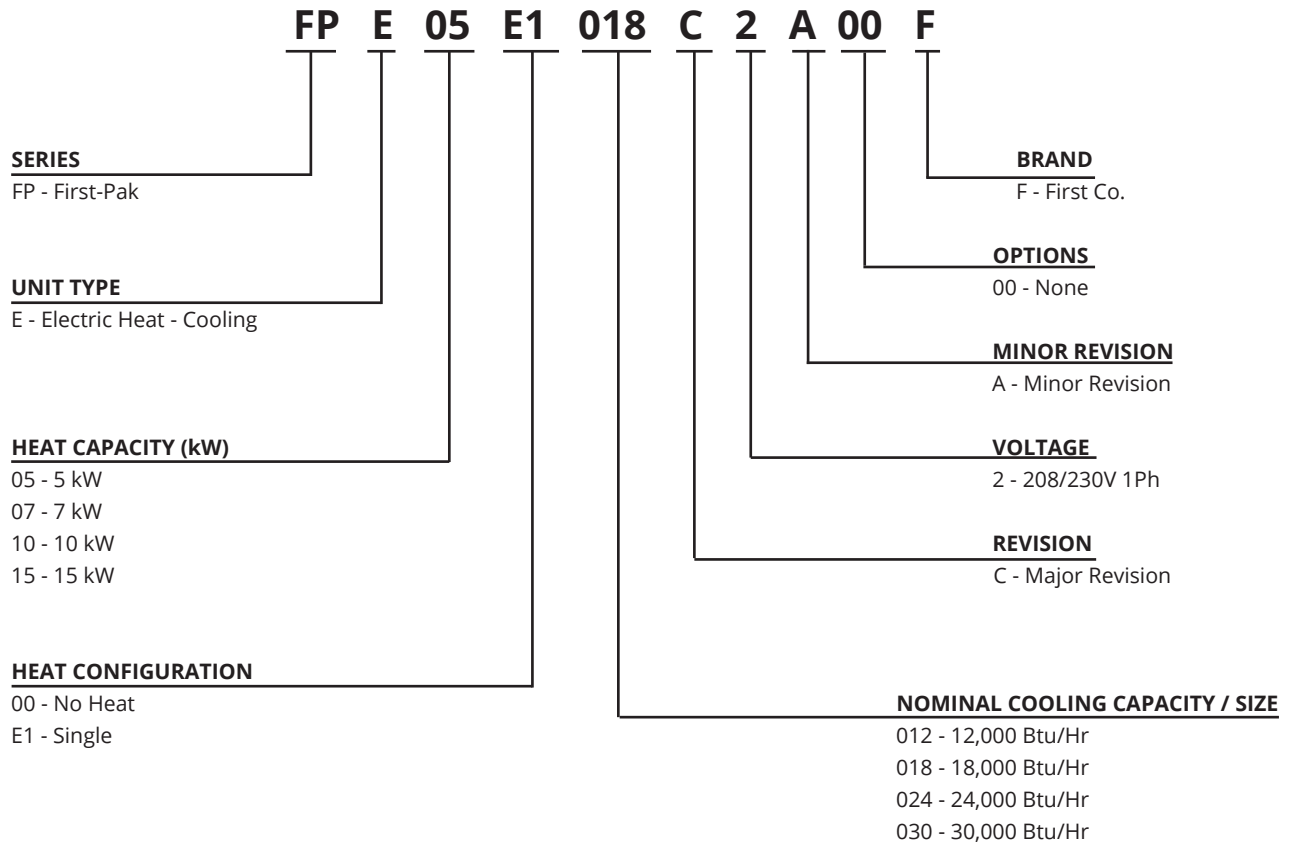


Single Package Vertical Air Conditioner  
*with electric heat*

12,000 through 30,000 BTUH  
Cooling Capacity



# Nomenclature



## PRODUCT DESCRIPTION

- Self-contained packaged units with electric cooling and electric heating
- Pre-wired and pre-charged from factory
- Eliminates the need for outdoor condensing section units, line-sets and separate ventilation
- All FPE series units are compatible with Magic-Pak, Comfort-Pack and Condo-Pack

## PRODUCT FEATURES

- High efficiency scroll and rotary compressors
- Easily accessible refrigeration service ports with an area for temperature probes
- Factory installed condensate float switch
- Architectural louvers available
- Larger air coil with low face velocity for improved cooling performance
- High efficiency ECM indoor blower with multiple speed taps for precise airflow selection
- High efficiency ECM condenser fan motor to improve system efficiency
- Insulation inside of cooling compartment to improve cooling performance and reduce noise
- Dual inlet indoor blower to lower fan rpm's, improve efficiency and reduce noise
- Double isolated compressor mount to lower compressor noise and vibration
- Blower collar locking mechanism to improve seal between cooling chassis and cabinet
- 2.5T models come standard with dual stage scroll compressors

## SERVICEABILITY FEATURES

- Slide out cooling chassis for ease of service
- Easy access or removal of electric heaters
- High efficiency TXV on all models to allow for field adjustments, if required
- All electrical components are serviceable from front of the unit
- Compressor capacitor, compressor contactor, and indoor fan control located on panel at the front of the unit
- Additional cooling chassis can be stocked and switched out to limit down time of the occupant
- Refrigerant service ports are located on the outside the cooling chassis.

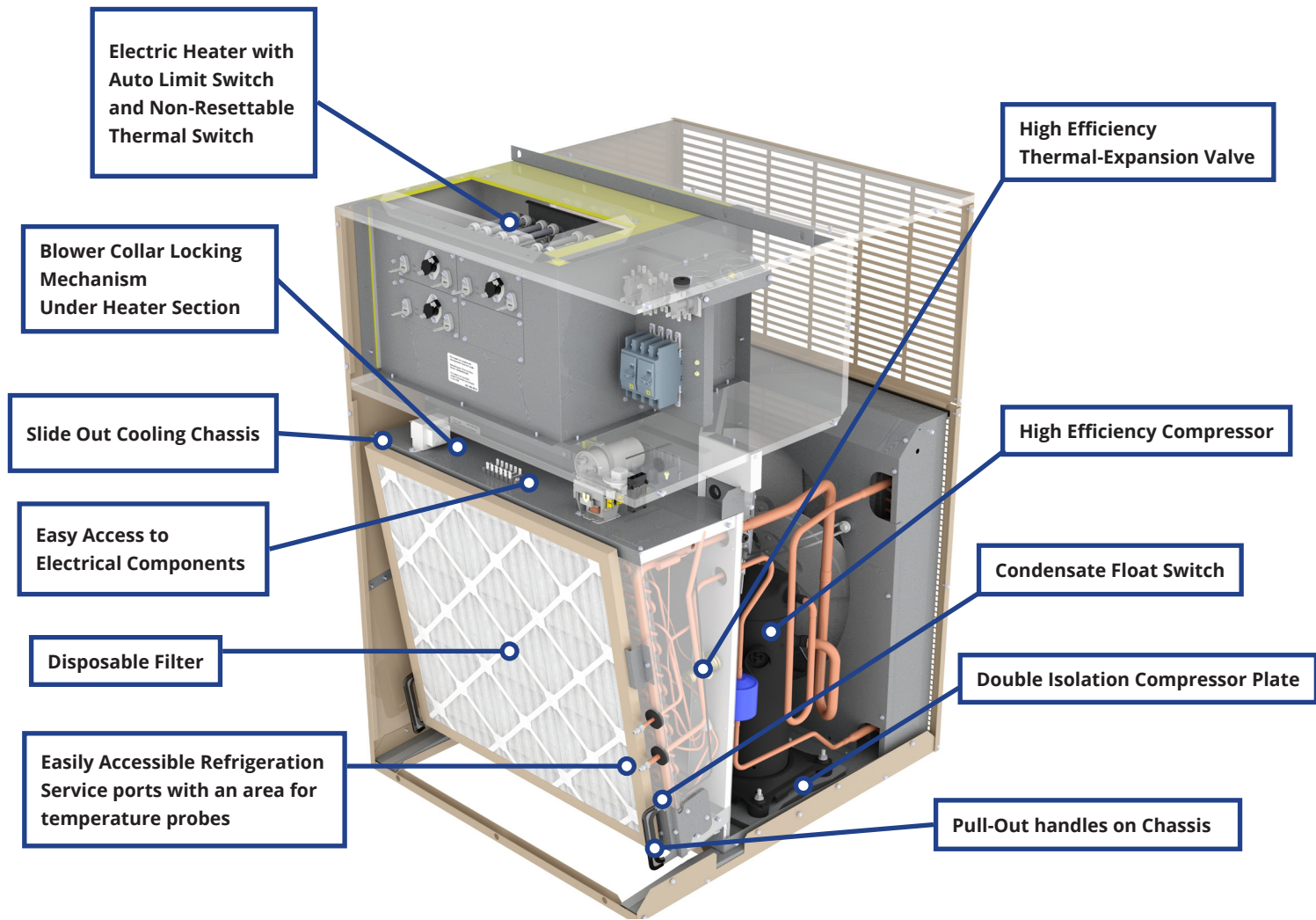
## WARRANTY

- Five (5) years limited parts on compressor and all other covered components

## ACCESSORIES

- Wall Sleeves
- Architectural Louvers

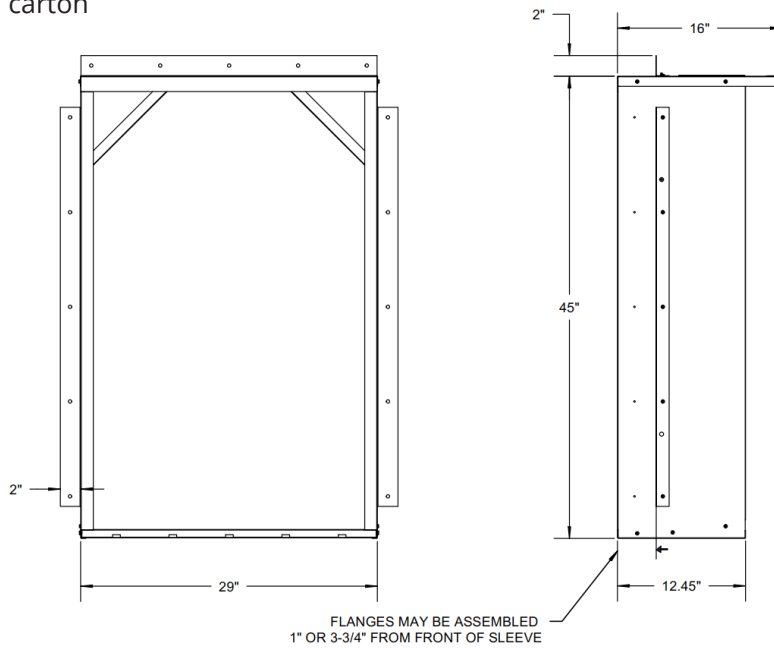
# Features & Benefits



# Accessories

## WALL SLEEVES

- Part number 929-10
- Ships unassembled in carton



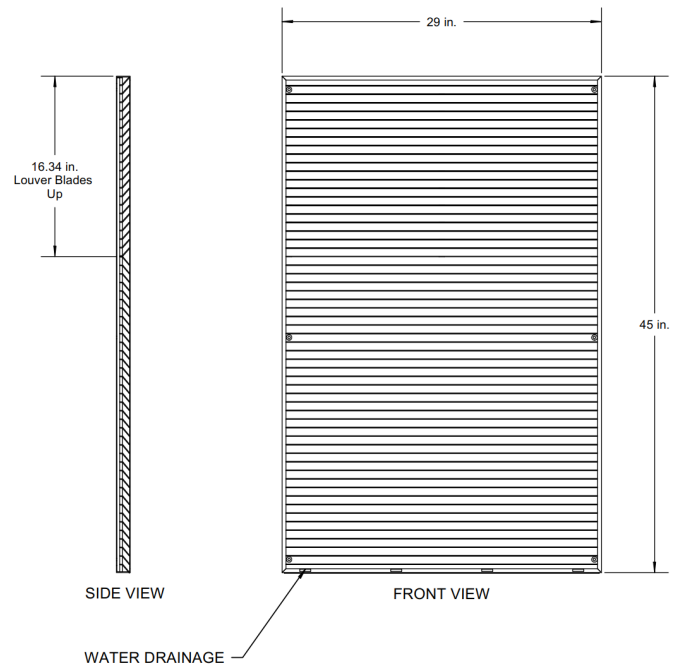
## ALUMINUM ARCHITECTURAL LOUVERS (OPTIONAL)

- Part number G230A Clear Anodized Finish
- Part number G230S\* Custom Painted Finish

### Standard Paint Colors

\*Custom Color with paint matching.

|                    |                      |                     |
|--------------------|----------------------|---------------------|
| *ASCOT WHITE (19)  | *LIGHT STONE (43)    | *SHELBURNE (69)     |
| *BONE WHITE (24)   | *PORTLAND STONE (49) | *MEDIUM BRONZE (72) |
| *CORONADO RED (34) | *TAUPE (52)          | *DARK BRONZE (75)   |
| *FOREST GREEN (36) | *SAHARA TAN (65)     | *STONE GRAY (78)    |
| *HERRINGBONE (37)  | *SANDSTONE (67)      | *BLACK (89)         |



# Physical Data

| FPE MODELS                            | FPE05E1012C                | FPE07E1012C | FPE10E1012C | FPE05E1018C | FPE07E1018C | FPE10E1018C | FPE05E1024C |
|---------------------------------------|----------------------------|-------------|-------------|-------------|-------------|-------------|-------------|
| Unit Information                      |                            |             |             |             |             |             |             |
| Quantity / Type                       | Rotary (1)                 | Rotary (1)  | Rotary (1)  | Rotary (1)  | Rotary (1)  | Rotary (1)  | Scroll (1)  |
| Factory Charge (R410A) lbs. [kg]      | 3.75 [1.70]                | 3.75 [1.70] | 3.75 [1.70] | 4.8 [2.18]  | 4.8 [2.18]  | 4.8 [2.18]  | 4.9 [2.21]  |
| Compressor Capacitor                  | 40MFD/370V                 | 40MFD/370V  | 40MFD/370V  | 35MFD/370V  | 35MFD/370V  | 35MFD/370V  | 35MFD/370V  |
| Condenser Fan HP [kW]                 | 1/5 [.15]                  | 1/5 [.15]   | 1/5 [.15]   | 1/3 [.25]   | 1/3 [.25]   | 1/3 [.25]   | 1/3 [.25]   |
| Indoor Fan HP [kW]                    | 1/4 [.17]                  | 1/4 [.17]   | 1/4 [.17]   | 1/3 [.25]   | 1/3 [.25]   | 1/3 [.25]   | 1/2 [.37]   |
| Blower Size (D X W) in. [mm]          | 10 x 6 [25.4 x 15.24]      |             |             |             |             |             |             |
| Condenser Dimension (H x W) in. [mm]  | 26.5 x 22.25 [67.3 x 56.5] |             |             |             |             |             |             |
| Evaporator Dimension (H x W) in. [mm] | 23.1 x 22.25 [58.7 x 56.5] |             |             |             |             |             |             |
| Filter Size (H x W) [mm]              | 24 x 24 [60.96 x 60.96]    |             |             |             |             |             |             |
| Electric Heater [kW] @240V            | 5kW                        | 7(2x3.5kW)  | 10(2x5kW)   | 5kW         | 7(2x3.5kW)  | 10(2x5kW)   | 5(1x5kW)    |
| Max. Static Pressure IWC [pa]         | .5" [125]                  |             |             |             |             |             |             |
| Operating Weight lb. [kg]             | 273 [124]                  | 275 [125]   | 275 [125]   | 334 [152]   | 336 [153]   | 336 [153]   | 345 [157]   |
| Shipping Weight lb. [kg]              | 293 [133]                  | 295 [134]   | 295 [134]   | 354 [161]   | 356 [162]   | 356 [162]   | 365 [166]   |

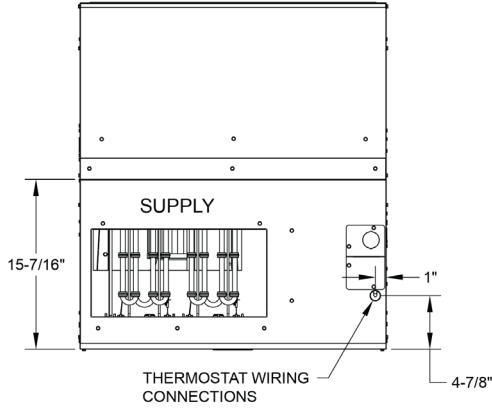
| FPE MODELS                            | FPE07E1024C                | FPE10E1024C | FPE15E1024C | FPE05E1030C | FPE07E1030C | FPE10E1030C | FPE15E1030C |
|---------------------------------------|----------------------------|-------------|-------------|-------------|-------------|-------------|-------------|
| Unit Information                      |                            |             |             |             |             |             |             |
| Quantity / Type                       | Scroll (1)                 | Scroll (1)  | Scroll (1)  | Scroll (1)  | Scroll (1)  | Scroll (1)  | Scroll (1)  |
| Factory Charge (R410A) lbs. [kg]      | 4.9 [2.21]                 | 4.9 [2.21]  | 4.9 [2.21]  | 5.0 [2.27]  | 5.0 [2.27]  | 5.0 [2.27]  | 5.0 [2.27]  |
| Compressor Capacitor                  | 35MFD/370V                 | 35MFD/370V  | 35MFD/370V  | 30MFD/370V  | 30MFD/370V  | 30MFD/370V  | 30MFD/370V  |
| Condenser Fan HP [kW]                 | 1/3 [.25]                  | 1/3 [.25]   | 1/3 [.25]   | 1/3 [.25]   | 1/3 [.25]   | 1/3 [.25]   | 1/3 [.25]   |
| Indoor Fan HP [kW]                    | 1/2 [.37]                  | 1/2 [.37]   | 1/2 [.37]   | 1/2 [.37]   | 1/2 [.37]   | 1/2 [.37]   | 1/2 [.37]   |
| Blower Size (D X W) in. [mm]          | 10 x 6 [25.4 x 15.24]      |             |             |             |             |             |             |
| Condenser Dimension (H x W) in. [mm]  | 26.5 x 22.25 [67.3 x 56.5] |             |             |             |             |             |             |
| Evaporator Dimension (H x W) in. [mm] | 23.1 x 22.25 [58.7 x 56.5] |             |             |             |             |             |             |
| Filter Size (H x W) [mm]              | 24 x 24 [60.96 x 60.96]    |             |             |             |             |             |             |
| Electric Heater [kW] @240V            | 7(2x3.5kW)                 | 10(2x5kW)   | 15(3x5kW)   | 5(1x5kW)    | 7(2x3.5kW)  | 10(2x5kW)   | 15(3x5kW)   |
| Max. Static Pressure IWC [pa]         | .5" [125]                  |             |             |             |             |             |             |
| Operating Weight lb. [kg]             | 346 [157]                  | 346 [157]   | 349 [158]   | 346 [157]   | 347 [158]   | 347 [158]   | 350 [159]   |
| Shipping Weight lb. [kg]              | 366 [166]                  | 366 [166]   | 369 [168]   | 366 [166]   | 367 [167]   | 367 [167]   | 370 [168]   |

Data is subject to change. Please verify most current information on [www.firstco.com](http://www.firstco.com) or [www.AE-Air.com](http://www.AE-Air.com) websites.

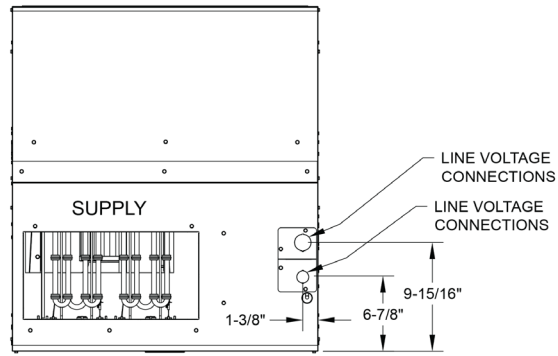
# Physical Data

## Unit Dimensions

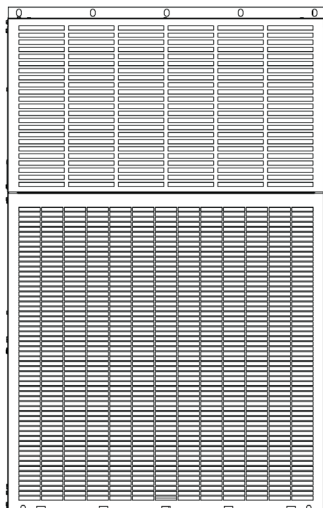
TOP VIEW:  
5KW - 10 KW  
CABINET WITH SINGLE  
POWER INPUT



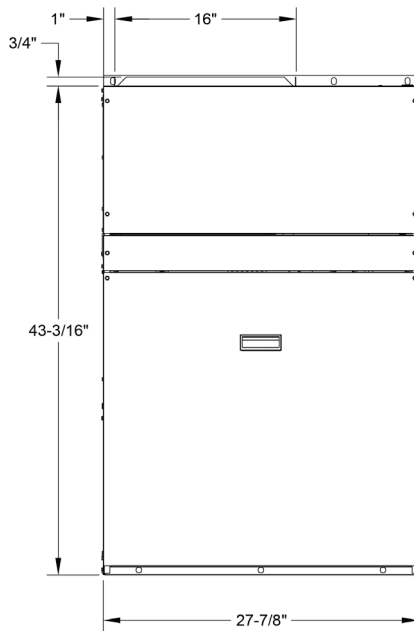
TOP VIEW  
15KW  
CABINET WITH TWO  
POWER INPUT



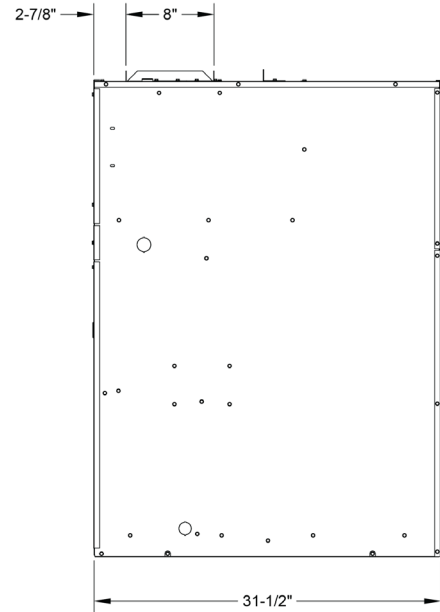
REAR VIEW



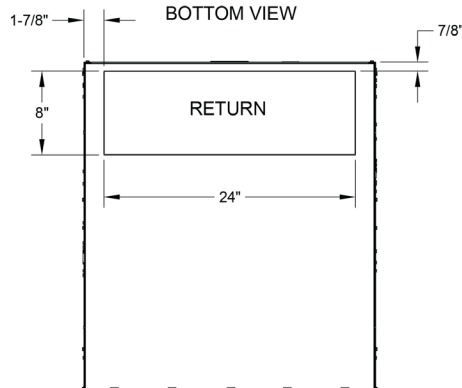
FRONT VIEW



SIDE VIEW



BOTTOM VIEW



# Electric Heat Data

| UNIT MODEL         | VOLTAGE - PHASE | ELECTRIC HEATER |      |                         |                         |                     |
|--------------------|-----------------|-----------------|------|-------------------------|-------------------------|---------------------|
|                    |                 | KW              |      | AUTO-RESET LIMIT SWITCH | NONRESETTABLE FUSE LINK | MIN. AIRFLOW (SCFM) |
|                    |                 | 240V            | 208V |                         |                         |                     |
| <b>FPE05E1012C</b> | 230/208V - 1Ph  | 5               | 3.76 | 160°F                   | 104°C                   | 386                 |
| <b>FPE07E1012C</b> | 230/208V - 1Ph  | 7               | 5.26 | 160°F                   | 104°C                   | 488                 |
| <b>FPE10E1012C</b> | 230/208V - 1Ph  | 10              | 7.5  | 160°F                   | 104°C                   | 488                 |
| <b>FPE05E1018C</b> | 230/208V - 1Ph  | 5               | 3.76 | 160°F                   | 104°C                   | 639                 |
| <b>FPE07E1018C</b> | 230/208V - 1Ph  | 7               | 5.26 | 160°F                   | 104°C                   | 639                 |
| <b>FPE10E1018C</b> | 230/208V - 1Ph  | 10              | 7.5  | 160°F                   | 104°C                   | 709                 |
| <b>FPE05E1024C</b> | 230/208V - 1Ph  | 5               | 3.76 | 160°F                   | 104°C                   | 674                 |
| <b>FPE07E1024C</b> | 230/208V - 1Ph  | 7               | 5.26 | 160°F                   | 104°C                   | 664                 |
| <b>FPE10E1024C</b> | 230/208V - 1Ph  | 10              | 7.5  | 160°F                   | 104°C                   | 705                 |
| <b>FPE15E1024C</b> | 230/208V - 1Ph  | 15              | 11.3 | 160°F                   | 104°C                   | 823                 |
| <b>FPE05E1030C</b> | 230/208V - 1Ph  | 5               | 3.76 | 160°F                   | 104°C                   | 674                 |
| <b>FPE07E1030C</b> | 230/208V - 1Ph  | 7               | 5.26 | 160°F                   | 104°C                   | 664                 |
| <b>FPE10E1030C</b> | 230/208V - 1Ph  | 10              | 7.5  | 160°F                   | 104°C                   | 705                 |
| <b>FPE15E1030C</b> | 230/208V - 1Ph  | 15              | 11.3 | 160°F                   | 104°C                   | 823                 |

Data is subject to change. Please verify most current information on [www.firstco.com](http://www.firstco.com) or [www.AE-Air.com](http://www.AE-Air.com) websites.



# Electrical and Performance Data

| ELECTRICAL DATA |               |            |     |                 |     |              |     |                       |      |       |      |                         |      |       |      |            |            |
|-----------------|---------------|------------|-----|-----------------|-----|--------------|-----|-----------------------|------|-------|------|-------------------------|------|-------|------|------------|------------|
| MODEL NUMBER    | VOLTAGE PH-HZ | COMPRESSOR |     | CONDENSOR MOTOR |     | INDOOR MOTOR |     | MIN. CIRCUIT AMPACITY |      |       |      | MAX. CIRCUIT PROTECTION |      |       |      | MIN. VOLT. | MAX. VOLT. |
|                 |               | RLA        | LRA | FLA             | HP  | FLA          | HP  | CKT 1                 |      | CKT 2 |      | CKT 1                   |      | CKT 2 |      |            |            |
|                 |               |            |     |                 |     |              |     | 230V                  | 208V | 230V  | 208V | 230V                    | 208V | 230V  | 208V |            |            |
| FPE05E1012C     | 208/230-1-60  | 5.5        | 26  | 2.8             | 1/3 | 2.8          | 1/3 | 29.0                  | 27.0 | N/A   | N/A  | 30                      | 30   | N/A   | N/A  | 197        | 252        |
| FPE07E1012C     | 208/230-1-60  | 5.5        | 26  | 2.8             | 1/3 | 2.8          | 1/3 | 38.0                  | 35.0 | N/A   | N/A  | 40                      | 35   | N/A   | N/A  | 197        | 252        |
| FPE10E1012C     | 208/230-1-60  | 5.5        | 26  | 2.8             | 1/3 | 2.8          | 1/3 | 54.0                  | 49.0 | N/A   | N/A  | 60                      | 50   | N/A   | N/A  | 197        | 252        |
| FPE05E1018C     | 208/230-1-60  | 7.2        | 38  | 2.8             | 1/3 | 2.8          | 1/3 | 29.0                  | 27.0 | N/A   | N/A  | 30                      | 30   | N/A   | N/A  | 197        | 252        |
| FPE07E1018C     | 208/230-1-60  | 7.2        | 38  | 2.8             | 1/3 | 2.8          | 1/3 | 39.0                  | 36.0 | N/A   | N/A  | 40                      | 40   | N/A   | N/A  | 197        | 252        |
| FPE10E1018C     | 208/230-1-60  | 7.2        | 38  | 2.8             | 1/3 | 2.8          | 1/3 | 54.0                  | 49.0 | N/A   | N/A  | 60                      | 50   | N/A   | N/A  | 197        | 252        |
| FPE05E1024C     | 208/230-1-60  | 10.7       | 55  | 2.8             | 1/3 | 4.1          | 1/2 | 30.0                  | 27.6 | N/A   | N/A  | 35                      | 30   | N/A   | N/A  | 197        | 252        |
| FPE07E1024C     | 208/230-1-60  | 10.7       | 55  | 2.8             | 1/3 | 4.1          | 1/2 | 40.0                  | 36.7 | N/A   | N/A  | 45                      | 40   | N/A   | N/A  | 197        | 252        |
| FPE10E1024C     | 208/230-1-60  | 10.7       | 55  | 2.8             | 1/3 | 4.1          | 1/2 | 55.0                  | 50.2 | N/A   | N/A  | 60                      | 60   | N/A   | N/A  | 197        | 252        |
| FPE15E1024C     | 208/230-1-60  | 10.7       | 55  | 2.8             | 1/3 | 4.1          | 1/2 | 55.0                  | 50.2 | 25.0  | 22.6 | 60                      | 60   | 25    | 25   | 197        | 252        |
| FPE05E1030C     | 208/230-1-60  | 13.5       | 87  | 2.8             | 1/3 | 4.1          | 1/2 | 30.0                  | 27.6 | N/A   | N/A  | 35                      | 30   | N/A   | N/A  | 197        | 252        |
| FPE07E1030C     | 208/230-1-60  | 13.5       | 87  | 2.8             | 1/3 | 4.1          | 1/2 | 40.0                  | 36.7 | N/A   | N/A  | 45                      | 40   | N/A   | N/A  | 197        | 252        |
| FPE10E1030C     | 208/230-1-60  | 13.5       | 87  | 2.8             | 1/3 | 4.1          | 1/2 | 55.0                  | 50.2 | N/A   | N/A  | 60                      | 60   | N/A   | N/A  | 197        | 252        |
| FPE15E1030C     | 208/230-1-60  | 13.5       | 87  | 2.8             | 1/3 | 4.1          | 1/2 | 55.0                  | 50.2 | 25.0  | 22.6 | 60                      | 60   | 25    | 25   | 197        | 252        |

| FPE AHRI Data |         |      |      |      |                   |               |         |        |      |        |
|---------------|---------|------|------|------|-------------------|---------------|---------|--------|------|--------|
| MODEL NUMBER  | COOLING |      |      |      |                   |               | HEATING |        |      |        |
|               | Btu/hr  | EER  | SEER | S/T  | CFM Full Load CFM | CFM Part Load | 240V    |        | 208V |        |
|               |         |      |      |      |                   |               | KW      | Btu/Hr | KW   | Btu/Hr |
| FPE05E1012C   | 12500   | 10.5 | 11.7 | 0.75 | 450               | -             | 5       | 17060  | 3.8  | 12814  |
| FPE07E1012C   |         |      |      |      |                   |               | 7       | 23884  | 5.3  | 17940  |
| FPE10E1012C   |         |      |      |      |                   |               | 10      | 34120  | 7.5  | 25628  |
| FPE05E1018C   | 17000   | 10.0 | 11.7 | 0.78 | 630               | -             | 5       | 17060  | 3.8  | 12814  |
| FPE07E1018C   |         |      |      |      |                   |               | 7       | 23884  | 5.3  | 17940  |
| FPE10E1018C   |         |      |      |      |                   |               | 10      | 34120  | 7.5  | 25628  |
| FPE05E1024C   | 22500   | 10.0 | 11.7 | 0.74 | 780               | -             | 5       | 17060  | 3.8  | 12814  |
| FPE07E1024C   |         |      |      |      |                   |               | 7       | 23884  | 5.3  | 17940  |
| FPE10E1024C   |         |      |      |      |                   |               | 10      | 34120  | 7.5  | 25628  |
| FPE15E1024C   |         |      |      |      |                   |               | 15      | 51180  | 11.3 | 38442  |
| FPE05E1030C   | 26500   | 9.0  | 11.7 | 0.74 | 920               | 620           | 5       | 17060  | 3.8  | 12814  |
| FPE07E1030C   |         |      |      |      |                   |               | 7       | 23884  | 5.3  | 17940  |
| FPE10E1030C   |         |      |      |      |                   |               | 10      | 34120  | 7.5  | 25628  |
| FPE15E1030C   |         |      |      |      |                   |               | 15      | 51180  | 11.3 | 38442  |

All units tested to AHRI 210/240 2020 (SEER2)

All FPE\*\*E1030C models tested with dual stage scroll

Data is subject to change. Please verify most current information on [www.firstco.com](http://www.firstco.com) or [www.AE-Air.com](http://www.AE-Air.com) websites.

# Extended Performance Data

| Model Number       | Indoor Temp DB/WB | Outdoor Temperature °F |     |     |      |     |     |      |     |     |       |     |     |       |     |     |
|--------------------|-------------------|------------------------|-----|-----|------|-----|-----|------|-----|-----|-------|-----|-----|-------|-----|-----|
|                    |                   | 65.0                   |     |     | 85.0 |     |     | 95.0 |     |     | 105.0 |     |     | 115.0 |     |     |
|                    |                   | MBH                    | S/T | kW  | MBH  | S/T | kW  | MBH  | S/T | kW  | MBH   | S/T | kW  | MBH   | S/T | kW  |
| <b>FPE**E1012C</b> | 75/57             | 13.2                   | 1.0 | 0.9 | 12.1 | 1.0 | 1.1 | 12.1 | 1.0 | 1.2 | 11.0  | 1.0 | 1.3 | 10.4  | 1.0 | 1.4 |
|                    | 75/63             | 14.2                   | 0.8 | 0.9 | 12.9 | 0.8 | 1.1 | 12.9 | 0.8 | 1.2 | 11.5  | 0.9 | 1.3 | 10.8  | 0.9 | 1.5 |
|                    | 80/67             | 15.2                   | 0.8 | 0.9 | 13.8 | 0.8 | 1.1 | 13.8 | 0.8 | 1.2 | 12.3  | 0.9 | 1.3 | 11.6  | 0.9 | 1.5 |
|                    | 85/72             | 16.4                   | 0.7 | 0.9 | 14.9 | 0.7 | 1.1 | 14.9 | 0.7 | 1.2 | 13.4  | 0.8 | 1.4 | 12.6  | 0.8 | 1.5 |
| <b>FPE**E1018C</b> | 75/57             | 18.4                   | 1.0 | 1.2 | 16.8 | 1.0 | 1.4 | 15.9 | 1.0 | 1.5 | 15.0  | 1.0 | 1.6 | 14.1  | 1.0 | 1.8 |
|                    | 75/63             | 19.6                   | 0.8 | 1.3 | 17.6 | 0.8 | 1.4 | 16.5 | 0.8 | 1.5 | 15.4  | 0.8 | 1.6 | 14.0  | 0.8 | 1.8 |
|                    | 80/67             | 20.7                   | 0.7 | 1.3 | 18.6 | 0.8 | 1.4 | 17.5 | 0.8 | 1.6 | 16.2  | 0.8 | 1.7 | 14.2  | 1.0 | 1.8 |
|                    | 85/72             | 22.2                   | 0.7 | 1.3 | 20.0 | 0.7 | 1.5 | 19.0 | 0.8 | 1.6 | 17.3  | 0.7 | 1.7 | 15.6  | 0.7 | 1.8 |
| <b>FPE**E1024C</b> | 75/57             | 23.9                   | 1.0 | 1.7 | 21.4 | 1.0 | 2.0 | 20.4 | 1.0 | 2.2 | 19.3  | 1.0 | 2.4 | 18.3  | 1.0 | 2.7 |
|                    | 75/63             | 25.7                   | 0.8 | 1.7 | 23.2 | 0.8 | 2.0 | 21.9 | 0.8 | 2.2 | 20.7  | 0.8 | 2.4 | 19.4  | 0.9 | 2.7 |
|                    | 80/67             | 27.5                   | 0.7 | 1.7 | 24.8 | 0.8 | 2.0 | 23.5 | 0.8 | 2.2 | 22.2  | 0.8 | 2.5 | 20.8  | 0.8 | 2.7 |
|                    | 85/72             | 29.7                   | 0.7 | 1.7 | 26.9 | 0.7 | 2.0 | 25.5 | 0.7 | 2.3 | 24.1  | 0.7 | 2.5 | 22.6  | 0.8 | 2.7 |
| <b>FPE**E1030C</b> | 75/57             | 27.5                   | 1.0 | 2.2 | 25.2 | 1.0 | 2.5 | 24.0 | 1.0 | 2.8 | 22.7  | 1.0 | 3.0 | 21.5  | 1.0 | 3.3 |
|                    | 75/63             | 30.1                   | 0.7 | 2.2 | 27.1 | 0.8 | 2.5 | 25.6 | 0.8 | 2.8 | 24.0  | 0.8 | 3.0 | 22.5  | 0.8 | 3.3 |
|                    | 80/67             | 31.6                   | 0.7 | 2.2 | 28.4 | 0.8 | 2.5 | 26.9 | 0.8 | 2.8 | 25.2  | 0.8 | 3.1 | 23.6  | 0.9 | 3.4 |
|                    | 85/72             | 33.9                   | 0.7 | 2.2 | 30.6 | 0.7 | 2.6 | 28.9 | 0.7 | 2.8 | 26.8  | 0.7 | 3.1 | 25.8  | 0.8 | 3.4 |

IMPORTANT: These extended capacities are based on the rated values of the combination as input by the user. These are reference values only. This information does not constitute a rating or a guarantee that the installed system will perform as indicated.

Data is subject to change. Please verify most current information on [www.firstco.com](http://www.firstco.com) or [www.AE-Air.com](http://www.AE-Air.com) websites.

# Fan Air Flow Performance

| Model Number | Blower Speed Tap | SCFM @ External Static Pressure (in.w.c) |     |     |     |     |
|--------------|------------------|--|-----|-----|-----|-----|
|              |                  | 0.1                                      | 0.2 | 0.3 | 0.4 | 0.5 |
| FPE05E1012C  | T1               | 328                                      | 307 | 285 | 265 | 246 |
|              | T2 <sup>H</sup>  | 544                                      | 522 | 501 | 480 | 462 |
|              | T3               | 632                                      | 611 | 589 | 569 | 551 |
|              | T4 <sup>C</sup>  | 508                                      | 487 | 466 | 445 | 427 |
|              | T5               | 578                                      | 557 | 535 | 515 | 496 |
| FPE07E1012C  | T1               | 328                                      | 307 | 285 | 265 | 246 |
|              | T2 <sup>H</sup>  | 611                                      | 590 | 568 | 548 | 529 |
|              | T3               | 694                                      | 672 | 651 | 630 | 612 |
|              | T4 <sup>C</sup>  | 508                                      | 487 | 466 | 445 | 427 |
|              | T5               | 578                                      | 557 | 535 | 515 | 496 |
| FPE10E1012C  | T1               | 328                                      | 307 | 285 | 265 | 246 |
|              | T2 <sup>H</sup>  | 694                                      | 672 | 651 | 630 | 612 |
|              | T3               | 611                                      | 590 | 568 | 548 | 529 |
|              | T4 <sup>C</sup>  | 508                                      | 487 | 466 | 445 | 427 |
|              | T5               | 578                                      | 557 | 535 | 515 | 496 |
| FPE05E1018C  | T1               | 460                                      | 438 | 417 | 396 | 378 |
|              | T2 <sup>H</sup>  | 751                                      | 730 | 708 | 688 | 669 |
|              | T3               | 869                                      | 848 | 826 | 806 | 788 |
|              | T4 <sup>C</sup>  | 674                                      | 652 | 631 | 611 | 592 |
|              | T5               | 760                                      | 739 | 717 | 697 | 678 |
| FPE07E1018C  | T1               | 460                                      | 438 | 417 | 396 | 378 |
|              | T2 <sup>H</sup>  | 751                                      | 730 | 708 | 688 | 669 |
|              | T3               | 869                                      | 848 | 826 | 806 | 788 |
|              | T4 <sup>C</sup>  | 674                                      | 652 | 631 | 611 | 592 |
|              | T5               | 760                                      | 739 | 717 | 697 | 678 |
| FPE10E1018C  | T1               | 460                                      | 438 | 417 | 396 | 378 |
|              | T2 <sup>H</sup>  | 928                                      | 907 | 885 | 865 | 847 |
|              | T3               | 804                                      | 783 | 761 | 741 | 722 |
|              | T4 <sup>C</sup>  | 674                                      | 652 | 631 | 611 | 592 |
|              | T5               | 760                                      | 739 | 717 | 697 | 678 |

•Airflow data shown is with dry coil at 70°F DB EAT with standard 1" air filter.

•Unit is not recommended in the shaded area.

•For models with five speed taps, tap T1 is for ventilation. T2 and T3 are for heating operation. T4 and T5 are for cooling operation.

•Superscript C indicates factory-set default cooling tap. Superscript H indicates factory-set default heating tap.

Data is subject to change. Please verify most current information on [www.firstco.com](http://www.firstco.com) or [www.AE-Air.com](http://www.AE-Air.com) websites.

# Fan Air Flow Performance

Continued

| Unit Model  | Blower Speed Tap    | SCFM @ External Static Pressure (in.w.c) |      |     |     |     |
|-------------|---------------------|--|------|-----|-----|-----|
|             |                     | 0.1                                      | 0.2  | 0.3 | 0.4 | 0.5 |
| FPE05E1024C | T1                  | 544                                      | 522  | 501 | 480 | 462 |
|             | T2 <sup>H</sup>     | 804                                      | 783  | 761 | 741 | 722 |
|             | T3                  | 975                                      | 954  | 932 | 912 | 894 |
|             | T4 <sup>C</sup>     | 846                                      | 824  | 803 | 782 | 764 |
|             | T5                  | 969                                      | 948  | 926 | 906 | 887 |
| FPE07E1024C | T1                  | 544                                      | 522  | 501 | 480 | 462 |
|             | T2 <sup>H</sup>     | 804                                      | 783  | 761 | 741 | 722 |
|             | T3                  | 975                                      | 954  | 932 | 912 | 894 |
|             | T4 <sup>C</sup>     | 846                                      | 824  | 803 | 782 | 764 |
|             | T5                  | 969                                      | 948  | 926 | 906 | 887 |
| FPE10E1024C | T1                  | 544                                      | 522  | 501 | 480 | 462 |
|             | T2 <sup>H</sup>     | 846                                      | 824  | 803 | 782 | 764 |
|             | T3                  | 975                                      | 954  | 932 | 912 | 894 |
|             | T4 <sup>C</sup>     | 846                                      | 824  | 803 | 782 | 764 |
|             | T5                  | 969                                      | 948  | 926 | 906 | 887 |
| FPE15E1024C | T1                  | 545                                      | 517  | 484 | 452 | 421 |
|             | T2 <sup>H</sup>     | 1056                                     | 1027 | 995 | 962 | 931 |
|             | T3                  | 938                                      | 909  | 877 | 844 | 813 |
|             | T4 <sup>C</sup>     | 870                                      | 841  | 809 | 777 | 745 |
|             | T5                  | 970                                      | 941  | 909 | 876 | 845 |
| FPE05E1030C | T1                  | 687                                      | 658  | 626 | 593 | 562 |
|             | T2 <sup>H</sup>     | 822                                      | 793  | 761 | 728 | 697 |
|             | T3                  | 980                                      | 951  | 919 | 886 | 855 |
|             | T4 <sup>Clow</sup>  | 822                                      | 793  | 761 | 728 | 697 |
|             | T5 <sup>Chigh</sup> | 1019                                     | 990  | 958 | 926 | 894 |
| FPE07E1030C | T1                  | 687                                      | 658  | 626 | 593 | 562 |
|             | T2 <sup>H</sup>     | 822                                      | 793  | 761 | 728 | 697 |
|             | T3                  | 980                                      | 951  | 919 | 886 | 855 |
|             | T4 <sup>Clow</sup>  | 822                                      | 793  | 761 | 728 | 697 |
|             | T5 <sup>Chigh</sup> | 1019                                     | 990  | 958 | 926 | 894 |
| FPE10E1030C | T1                  | 687                                      | 658  | 626 | 593 | 562 |
|             | T2 <sup>H</sup>     | 846                                      | 818  | 785 | 753 | 722 |
|             | T3                  | 1000                                     | 971  | 939 | 906 | 875 |
|             | T4 <sup>Clow</sup>  | 822                                      | 793  | 761 | 728 | 697 |
|             | T5 <sup>Chigh</sup> | 1019                                     | 990  | 958 | 926 | 894 |
| FPE15E1030C | T1                  | 687                                      | 658  | 626 | 593 | 562 |
|             | T2 <sup>H</sup>     | 1056                                     | 1027 | 995 | 962 | 931 |
|             | T3                  | 938                                      | 909  | 877 | 844 | 813 |
|             | T4 <sup>Clow</sup>  | 822                                      | 793  | 761 | 728 | 697 |
|             | T5 <sup>Chigh</sup> | 1019                                     | 990  | 958 | 926 | 894 |

\*Airflow data shown is with dry coil at 70°F DB EAT with standard 1" air filter.

\*Unit is not recommended in the shaded area.

\*For models with five speed taps, tap T1 is for ventilation. T2 and T3 are for heating operation. T4 and T5 are for cooling operation.

\*Superscript <sup>C</sup> indicates factory-set default cooling tap. Superscript <sup>H</sup> indicates factory-set default heating tap.

\*The FPE\*\*E1030C models have two cooling airflow taps.

\*T4<sup>Clow</sup> is low speed cooling (Y1). T4<sup>Chigh</sup> is high speed cooling (Y2).

Data is subject to change. Please verify most current information on [www.firstco.com](http://www.firstco.com) or [www.AE-Air.com](http://www.AE-Air.com) websites.





FIRST CO. P.O. BOX 270969 - DALLAS, TEXAS 75227  
PH. (214) 388-5751 | FAX (214) 388-2255  
WWW.FIRSTCO.COM  
JANUARY 2024