



# FIRST-PAK<sup>™</sup>

## GAS



*Space Constrained Gas Unit*  
(FPGN8)

80% AFUE

12,000 through 30,000 BTUH Cooling Capacity

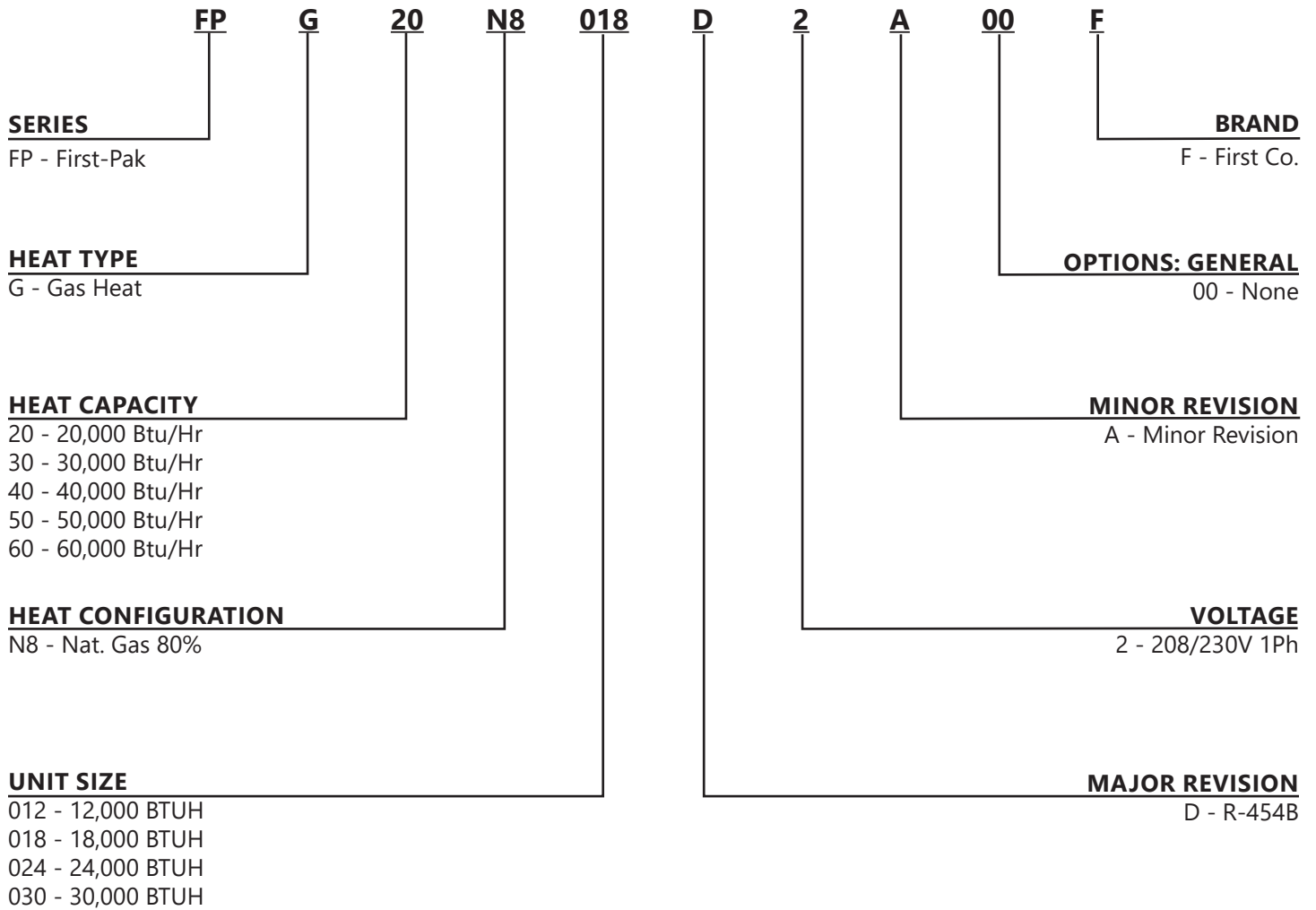
Up to 60,000 BTUH Heating Capacity

11.7 SEER2

R-454B



# NOMENCLATURE



---

# FIRST-PAK GAS 80

## SPACE CONSTRAINED GAS UNIT

### FEATURES

- Self-contained packaged units with gas-fired heating and electric cooling
- Pre-wired and pre-charged with R-454B refrigerant
- Eliminates the need for outdoor condensers, electrical, refrigerant piping, and external venting
- All FPG series units are compatible with Magic-Pak, Comfort-Pack and Condo-Pack

### PRODUCT FEATURES

- High efficiency scroll and rotary compressors
- Easily accessible refrigeration service ports with an area for temperature probes
- Factory installed condensate float switch
- Architectural louvers available
- Larger air coil with low face velocity for improved cooling performance
- 80% AFUE gas heat rating for all FPGN8 series models
- Stainless steel heat exchanger for corrosion resistance
- High efficiency ECM indoor blower with multiple speed taps for precise airflow selection
- High efficiency ECM condenser fan motor to improve system efficiency
- Insulation inside of cooling compartment to improve cooling performance and reduce noise
- Dual inlet indoor blower to lower fan rpm's, improve efficiency and reduce noise
- Double isolated compressor mount to lower compressor noise and vibration
- Blower collar locking mechanism to improve seal between cooling chassis and cabinet
- Refrigerant leak mitigation on units over 4lbs of charge.

### SERVICEABILITY FEATURES

- Slide out cooling chassis for ease of service
- Slide out heating assembly that allows for easy access to all gas heat components
- High efficiency TXV on all models to allow for field adjustments, if required
- See-through sight glass that allows for viewing the control board status codes and main burner function
- All electrical components are serviceable from front of the unit
- Compressor capacitor, compressor contactor, and indoor fan control located on panel at the front of the unit
- Additional cooling chassis can be stocked and switched out to limit down time of the occupant
- Refrigerant service ports are located on the outside the cooling chassis.

### LIMITED WARRANTY

5 year limited warranty on parts and compressor

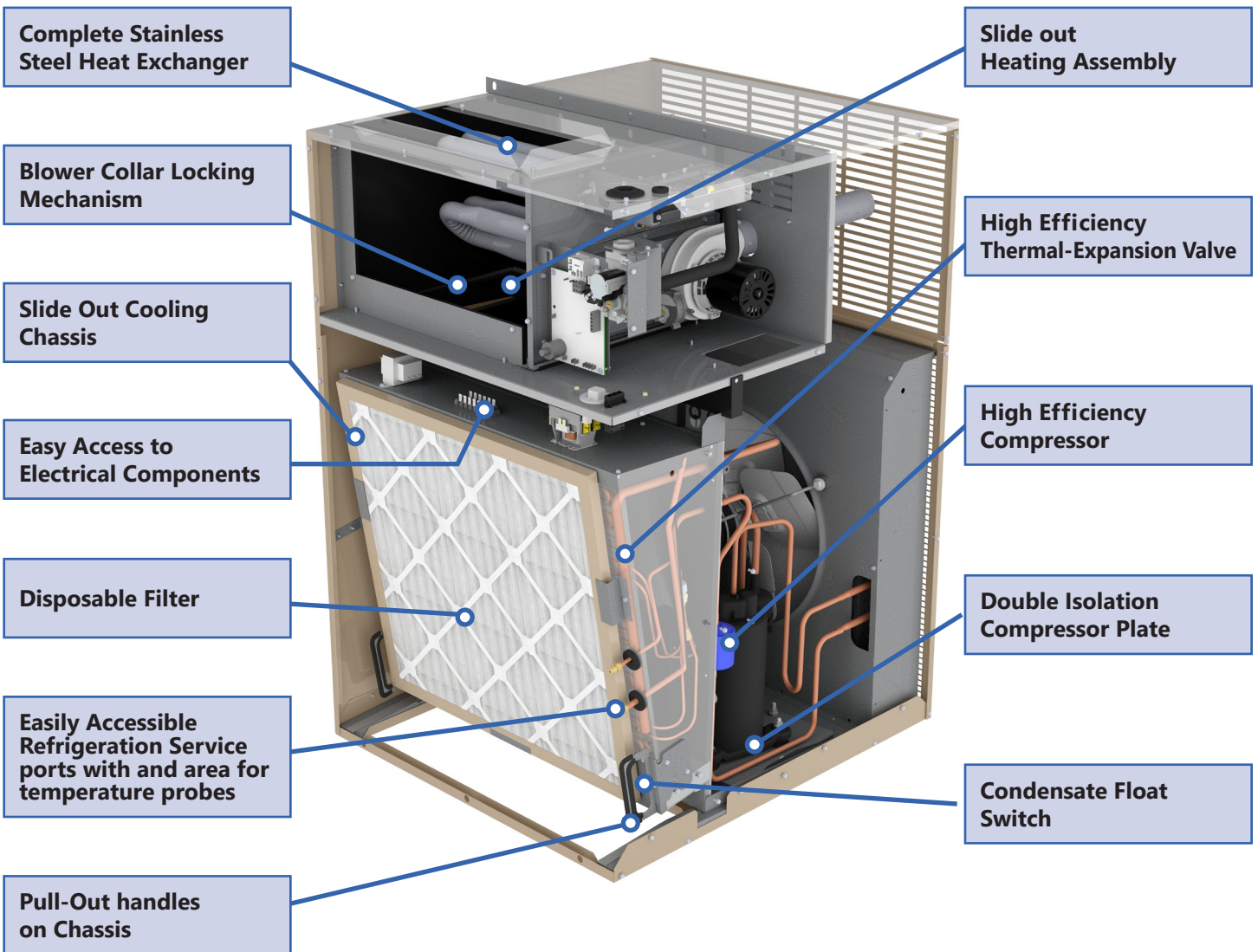
### ACCESSORIES

- Wall Sleeves
- Architectural Louvers
- High Altitude Kit number: 9KHiAlt for any application over 4,500 feet

# FIRST-PAK GAS 80

SPACE CONSTRAINED GAS UNIT

## FEATURES & BENEFITS

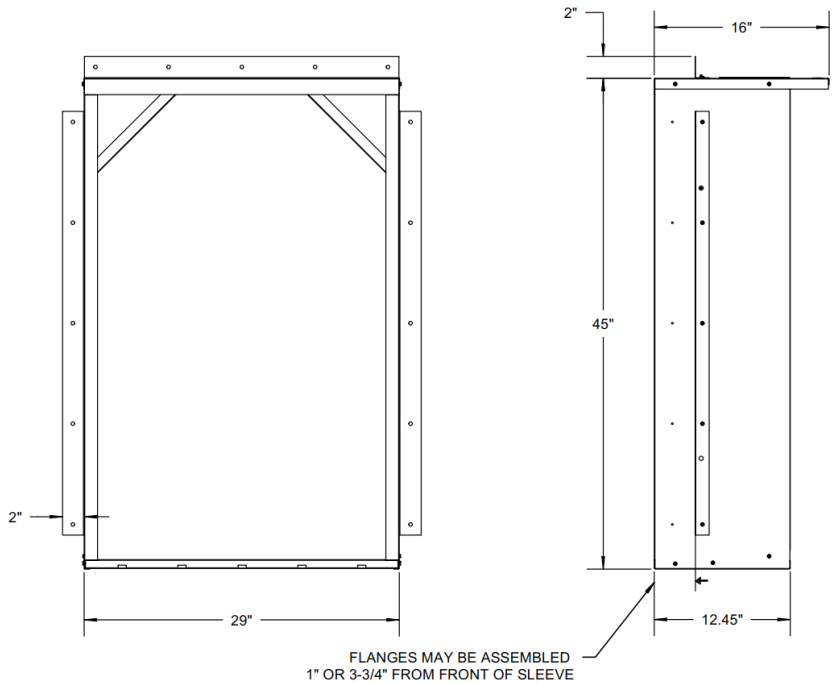


# FIRST-PAK GAS 80

## SPACE CONSTRAINED GAS UNIT

### ACCESSORIES WALL SLEEVES

- Part number 929-10
- Ships unassembled in carton



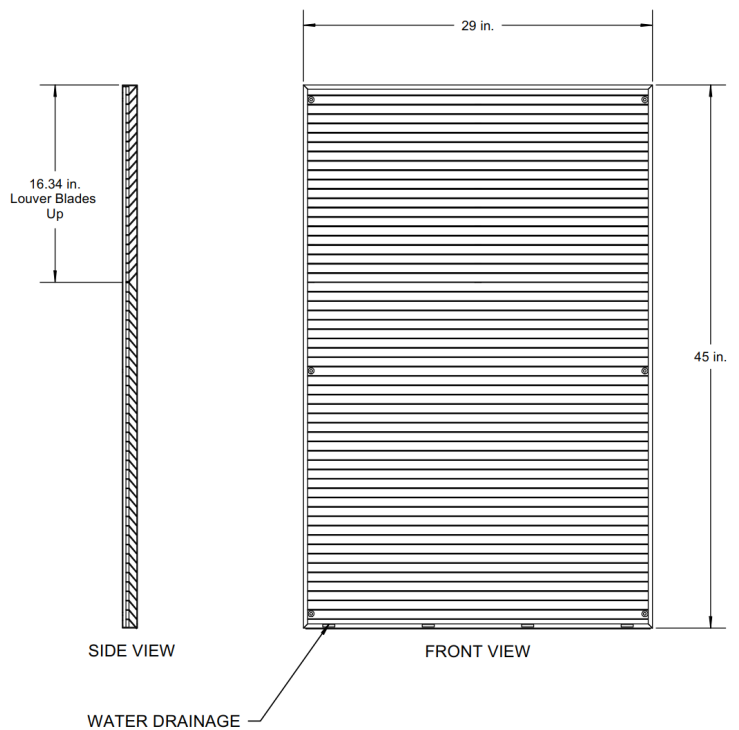
### ALUMINUM ARCHITECTURAL LOUVERS (OPTIONAL)

- Part number G230A      Clear Anodized Finish
- Part number G230S\*    Custom Painted Finish

#### STANDARD PAINT COLORS

 *ASCOT WHITE (19)	 *LIGHT STONE (43)	 *SHELBURNE (69)
 *BONE WHITE (24)	 *PORTLAND STONE (49)	 *MEDIUM BRONZE (72)
 *CORONADO RED (34)	 *TAUPE (52)	 *DARK BRONZE (75)
 *FOREST GREEN (36)	 *SAHARA TAN (65)	 *STONE GRAY (78)
 *HERRINGBONE (37)	 *SANDSTONE (67)	 *BLACK (89)

\*Custom Color with paint matching.



# FIRST-PAK GAS 80

## SPACE CONSTRAINED GAS UNIT

### PHYSICAL DATA

FIRST PAK 12 AND 18								
FPG MODELS	FPG20N8012D	FPG30N8012D	FPG40N8012D	FPG20N8018D	FPG30N8018D	FPG40N8018D	FPG50N8018D	FPG60N8018D
<b>UNIT INFORMATION</b>								
<b>Compressor Qty/Type</b>	Rotary (1)	Rotary (1)	Rotary (1)	Scroll (1)	Scroll (1)	Scroll (1)	Scroll (1)	Rotary (1)
<b>Factory Charge (R-454B) lbs. [kg]</b>	4.8 [2.18]	4.8 [2.18]	4.8 [2.18]	4.5 [2.04]	4.5 [2.04]	4.5 [2.04]	4.5 [2.04]	4.5 [2.04]
<b>Compressor Capacitor</b>	35/370	35/370	35/370	35/370	35/370	35/370	35/370	35/370
<b>Condenser Fan HP [kW]</b>	1/5 [.15]	1/5 [.15]	1/5 [.15]	1/5 [.15]	1/5 [.15]	1/5 [.15]	1/5 [.15]	1/5 [.15]
<b>Indoor Fan HP [kW]</b>	1/3 [.25]	1/3 [.25]	1/3 [.25]	1/3 [.25]	1/3 [.25]	1/3 [.25]	1/3 [.25]	1/3 [.25]
<b>Blower Size (D x W) in. [cm]</b>	10 x 6 [25.4 x 15.24]							
<b>Condenser Dimension (H x W) in. [cm]</b>	26.5 x 22.25 [67.3 x 56.5]							
<b>Evaporator Dimension (H x W) in. [cm]</b>	23.15 x 22.25 [58.8 x 56.5]							
<b>Filter Size (H x W) in. [cm]</b>	24 x 24 [60.96 x 60.96]							
<b>Input BTU/h [kW]</b>	20000 [5.9]	30000 [8.8]	40000 [11.7]	20000 [5.9]	30000 [8.8]	40000 [11.7]	50000 [14.7]	60000 [17.6]
<b>Output BTU/h [kW]</b>	16200 [4.7]	24300 [7.1]	32400 [9.5]	16200 [4.7]	24300 [7.1]	32400 [9.5]	40500 [11.9]	48600 [14.2]
<b>AFUE</b>	81	81	81	81	81	81	81	81
<b>No. of Burners</b>	2	3	4	2	3	4	5	6
<b>Orifice Size (Natural Gas) in. [mm]</b>	.061 [1.55]	.061 [1.55]	.061 [1.55]	.061 [1.55]	.061 [1.55]	.061 [1.55]	.061 [1.55]	.061 [1.55]
<b>Max. Outlet Air Temp °F [°C]</b>	155 [68]	160 [71]	160 [71]	155 [68]	160 [71]	160 [71]	165 [74]	165 [74]
<b>Max. Static Pressure IWC [pa]</b>	0.5 [125]							
<b>Gas Piping Connection in. [mm]</b>	1/2" [12.7]							
<b>Operating Weight lb. [kg]</b>	270 [122.5]	270 [122.5]	270 [122.5]	285 [129.3]	285 [129.3]	295 [133.8]	295 [133.8]	295 [133.8]
<b>Shipping Weight lb. [kg]</b>	297 [134.7]	297 [134.7]	297 [134.7]	312 [141.5]	312 [141.5]	322 [146.1]	322 [146.1]	322 [146.1]

Data is subject to change. Please verify most current information on [www.firstco.com](http://www.firstco.com).

# FIRST-PAK GAS 80

## SPACE CONSTRAINED GAS UNIT

### PHYSICAL DATA (CONT'D)

FIRST PAK 24 AND 30							
FPG MODELS	FPG30N8024D	FPG40N8024D	FPG50N8024D	FPG60N8024D	FPG40N8030D	FPG50N8030D	FPG60N8030D
<b>UNIT INFORMATION</b>							
<b>Compressor Qty/Type</b>	Scroll (1)	Scroll (1)	Scroll (1)	Scroll (1)	Scroll (1)	Scroll (1)	Scroll (1)
<b>Factory Charge (R-454B) lbs. [kg]</b>	4.8 [2.18]	4.8 [2.18]	4.8 [2.18]	4.8 [2.18]	4 [1.81]	4 [1.81]	4 [1.81]
<b>Compressor Capacitor</b>	35/370	35/370	35/370	35/370	40/370	40/370	40/370
<b>Condenser Fan HP [kW]</b>	1/3 [.25]	1/3 [.25]	1/3 [.25]	1/3 [.25]	1/3 [.25]	1/3 [.25]	1/3 [.25]
<b>Indoor Fan HP [kW]</b>	1/3 [.25]	1/3 [.25]	1/3 [.25]	1/2 [.37]	1/2 [.37]	1/2 [.37]	1/2 [.37]
<b>Blower Size (D x W) in. [cm]</b>	10 x 6 [25.4 x 15.24]						
<b>Condenser Dimension (H x W) in. [cm]</b>	26.5 x 22.25 [67.3 x 56.5]v						
<b>Evaporator Dimension (H x W) in. [cm]</b>	23.15 x 22.25 [58.8 x 56.5]						
<b>Filter Size (H x W) in. [cm]</b>	24 x 24 [60.96 x 60.96]						
<b>Input BTU/h [kW]</b>	30000 [8.8]	40000 [11.7]	50000 [14.7]	60000 [17.6]	40000 [11.7]	50000 [14.7]	60000 [17.6]
<b>Output BTU/h [kW]</b>	24300 [7.1]	32400 [9.5]	40500 [11.9]	48600 [14.2]	32400 [9.5]	40500 [11.9]	48600 [14.2]
<b>AFUE</b>	81	81	81	81	81	81	81
<b>No. of Burners</b>	3	4	5	6	4	5	6
<b>Orifice Size (Natural Gas) in. [mm]</b>	.061 [1.55]	.061 [1.55]	.061 [1.55]	.061 [1.55]	.061 [1.55]	.061 [1.55]	.061 [1.55]
<b>Max. Outlet Air Temp °F [°C]</b>	160 [71]	160 [71]	165 [74]	165 [74]	160 [71]	165 [74]	165 [74]
<b>Max. Static Pressure IWC [pa]</b>	0.5 [125]						
<b>Gas Piping Connection in. [mm]</b>	1/2" [12.7]						
<b>Operating Weight lb. [kg]</b>	315 [142.9]	320 [145.2]	320 [145.2]	320 [145.2]	330 [149.7]	335 [152]	335 [152]
<b>Shipping Weight lb. [kg]</b>	342 [155.1]	347 [157.4]	347 [157.4]	347 [157.4]	357 [161.9]	362 [164.2]	362 [164.2]

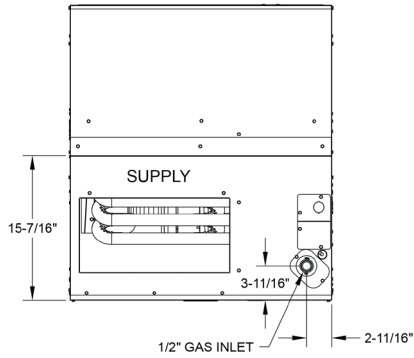
Data is subject to change. Please verify most current information on [www.firstco.com](http://www.firstco.com).

# FIRST-PAK GAS 80

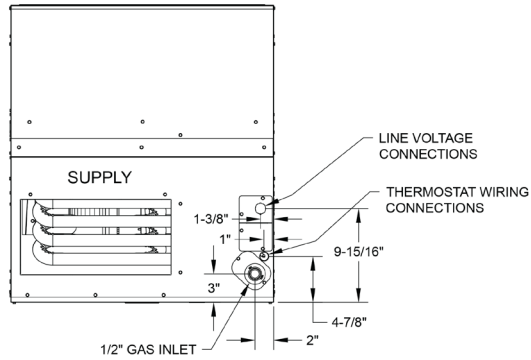
## SPACE CONSTRAINED GAS UNIT

### PHYSICAL DATA UNIT DIMENSIONS

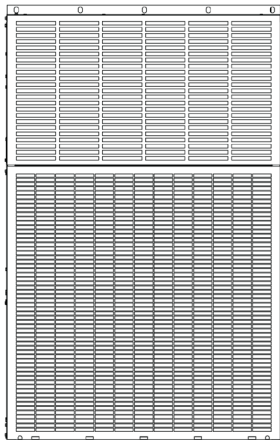
TOP VIEW:  
2-5 BURNER



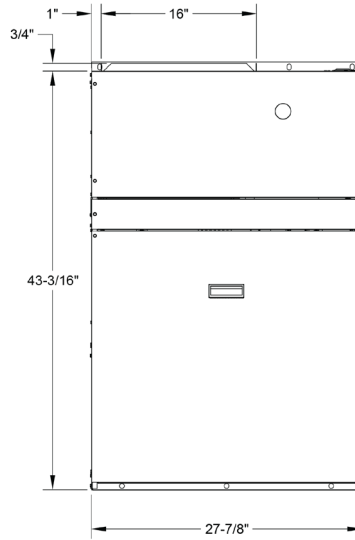
TOP VIEW:  
6 BURNER



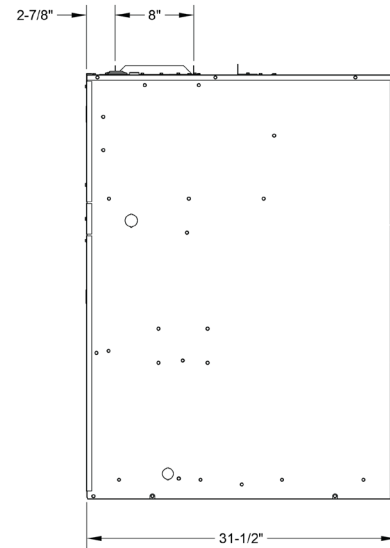
REAR VIEW



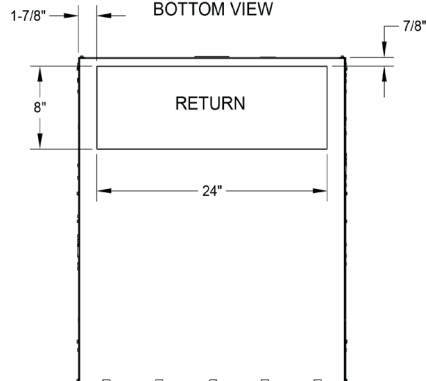
FRONT VIEW



SIDE VIEW



BOTTOM VIEW



# FIRST-PAK GAS 80

SPACE CONSTRAINED GAS UNIT

## ELECTRICAL & PERFORMANCE DATA

FIRST-PAK GAS 80 (FPGN8)											
MODEL	VOLTAGE	COMPRESSOR		OUTDOOR MOTOR		INDOOR MOTOR		MIN. CIRCUIT AMPACITY (MCA)		MAX. OVERCURRENT PROTECTION (MOP)	
		RLA	LRA	FLA	HP	FLA	HP	CIRCUIT 1 (L1-L2)		CIRCUIT 1 (L1-L2)	
								240V	208V	240V	208V
FPG20N8012D*	208/230-1-60	4.6	25	1.9	1/5	2.8	1/3	10	0	15	0
FPG30N8012D*	208/230-1-60	4.6	25	1.9	1/5	2.8	1/3	10	0	15	0
FPG40N8012D*	208/230-1-60	4.6	25	1.9	1/5	2.8	1/3	10	0	15	0
FPG20N8018D*	208/230-1-60	7.2	47	1.9	1/5	2.8	1/3	14	0	20	0
FPG30N8018D*	208/230-1-60	7.2	47	1.9	1/5	2.8	1/3	14	0	20	0
FPG40N8018D*	208/230-1-60	7.2	47	1.9	1/5	2.8	1/3	14	0	20	0
FPG50N8018D*	208/230-1-60	7.2	47	1.9	1/5	2.8	1/3	14	0	20	0
FPG60N8018D*	208/230-1-60	7.2	47	1.9	1/5	2.8	1/3	14	0	20	0
FPG30N8024D*	208/230-1-60	10.2	58	2.8	1/3	2.8	1/3	18	0	25	0
FPG40N8024D*	208/230-1-60	10.2	58	2.8	1/3	2.8	1/3	18	0	25	0
FPG50N8024D*	208/230-1-60	10.2	58	2.8	1/3	2.8	1/3	18	0	25	0
FPG60N8024D*	208/230-1-60	10.2	58	2.8	1/3	4.1	0.5	20	0	25	0
FPG40N8030D*	208/230-1-60	12.8	77	2.8	1/3	4.1	0.5	23	0	35	0
FPG50N8030D*	208/230-1-60	12.8	77	2.8	1/3	4.1	0.5	23	0	35	0
FPG60N8030D*	208/230-1-60	12.8	77	2.8	1/3	4.1	0.5	23	0	35	0

FPG AHRI DATA											
MODEL NUMBER	COOLING						HEATING				
	Btu/Hr	EER	SEER	S/T	CFM FULL LOAD	CFM PART LOAD	Heating CFM	Input Btu/Hr	Output Btu/Hr	AFUE	Temp Rise Range °F
FPG20N8012D*	11000	10.5	11.7	0.85	450	-	375	20000	1620	81	25-55
FPG30N8012D*							500	30000	24300		30-60
FPG40N8012D*							670	40000	32400		30-60
FPG20N8018D*	16500	10.5	11.7	0.78	650	-	375	20000	1620		25-55
FPG30N8018D*							500	30000	24300		30-60
FPG40N8018D*							670	40000	32400		30-60
FPG50N8018D*							750	50000	40500		35-65
FPG60N8018D*							900	60000	48600		35-65
FPG30N8024D*	21400	10	11.7	0.78	800	-	500	30000	24300		30-60
FPG40N8024D*							670	40000	32400		30-60
FPG50N8024D*							750	50000	40500		35-65
FPG60N8024D*							900	60000	48600		35-65
FPG40N8030D*	25600	9	11.7	0.73	950	700	670	40000	32400	30-60	
FPG50N8030D*							750	50000	40500	35-65	
FPG60N8030D*							900	60000	48600	35-65	

All units tested to AHRI 210/240 2020 (SEER2)

Data is subject to change. Please verify most current information on [www.firstco.com](http://www.firstco.com).

# FIRST-PAK GAS 80

## SPACE CONSTRAINED GAS UNIT

### EXTENDED PERFORMANCE DATA

FIRST-PAK GAS 80 (FPGN8)																			
Model	Indoor Temp DB/WB	Outdoor Temperature °F																	
		65.0			75.0			85.0			95.0			105.0			115.0		
		MBH	S/T	kW	MBH	S/T	kW	MBH	S/T	kW	MBH	S/T	kW	MBH	S/T	kW	MBH	S/T	kW
FPG*N8012D*	75/57	11.2	1.0	0.8	10.7	1.0	0.8	10.2	1.0	0.9	9.8	1.0	1.1	9.3	1.0	1.2	8.8	1.0	1.3
	75/63	12.1	0.8	0.8	11.5	0.8	0.8	10.9	0.9	0.9	10.3	0.9	1.1	9.6	0.9	1.2	9.0	0.9	1.3
	80/67	13.0	0.8	0.8	12.3	0.8	0.8	11.7	0.8	0.9	11.0	0.9	1.1	10.4	0.9	1.2	9.7	0.9	1.3
	85/72	14.1	0.7	0.7	13.4	0.7	0.8	12.7	0.8	0.9	11.9	0.8	1.1	11.2	0.8	1.2	10.5	0.8	1.3
FPG*N8018D*	75/57	16.9	1.0	1.1	16.1	1.0	1.3	15.0	1.0	1.4	14.3	1.0	1.6	13.7	1.0	1.8	13.0	1.0	2.0
	75/63	18.2	0.8	1.1	17.3	0.8	1.3	16.4	0.8	1.4	15.5	0.8	1.6	14.6	0.8	1.8	13.8	0.9	2.0
	80/67	19.4	0.7	1.1	18.5	0.7	1.3	17.6	0.8	1.4	16.6	0.8	1.6	15.7	0.8	1.8	14.7	0.8	2.0
	85/72	21.1	0.7	1.1	20.1	0.7	1.3	19.1	0.7	1.4	18.1	0.7	1.6	17.1	0.7	1.8	16.0	0.8	2.0
FPG*N8024D*	75/57	21.9	1.0	1.5	21.1	1.0	1.7	19.6	1.0	1.9	18.7	1.0	2.1	17.8	1.0	2.3	16.9	1.0	2.5
	75/63	23.6	0.8	1.5	22.5	0.8	1.7	21.3	0.8	1.9	20.1	0.8	2.1	19.0	0.8	2.3	17.9	0.9	2.5
	80/67	25.2	0.7	1.5	24.0	0.8	1.7	22.8	0.8	1.9	21.5	0.8	2.1	20.3	0.8	2.3	19.2	0.8	2.5
	85/72	27.3	0.7	1.5	26.0	0.7	1.7	24.8	0.7	1.9	23.5	0.7	2.1	22.0	0.7	2.3	20.7	0.8	2.5
FPG*N8030D*	75/57	25.6	1.0	2.1	24.5	1.0	2.3	23.6	1.0	2.5	22.8	1.0	2.7	21.3	1.0	2.9	20.3	1.0	3.2
	75/63	28.2	0.7	2.1	26.9	0.7	2.3	25.7	0.7	2.5	24.4	0.8	2.7	23.0	0.8	2.9	21.8	0.8	3.2
	80/67	30.0	0.7	2.2	28.7	0.7	2.3	27.3	0.7	2.5	25.9	0.7	2.7	24.6	0.8	2.9	23.2	0.8	3.2
	85/72	32.5	0.6	2.2	31.0	0.6	2.4	29.4	0.6	2.5	27.9	0.7	2.7	26.5	0.7	2.9	25.1	0.7	3.2

IMPORTANT: These extended capacities are based on the rated values of the combination as input by the user. These are reference values only. This information does not constitute a rating or a guarantee that the installed system will perform as indicated. Data is subject to change. Please verify most current information on [www.firstco.com](http://www.firstco.com).

# FIRST-PAK GAS 80

## SPACE CONSTRAINED GAS UNIT

### FAN AIR FLOW PERFORMANCE

MODEL	Motor Tap	Motor Speed	IWC STATIC PRESSURE									
			0.10		0.20		0.30		0.40		0.50	
			SCFM	W	SCFM	W	SCFM	W	SCFM	W	SCFM	W
FPG20N8C12D*	1		334	28	295	31	248	34	215	40	166	44
	2	Freeze Prot.	334	28	295	31	248	34	215	40	166	44
	3	H1 <sup>H</sup>	390	29	351	32	303	36	270	42	221	46
	4	GC	505	44	466	47	419	51	386	57	336	61
	5	Y2	657	87	618	90	570	93	537	99	488	104
FPG30N8C12D*	1		334	28	295	31	248	34	215	40	166	44
	2	Freeze Prot.	390	29	351	32	303	36	270	42	221	46
	3	H1 <sup>H</sup>	515	46	476	49	429	53	396	59	346	63
	4	GC	505	44	466	47	419	51	386	57	336	61
	5	Y2	657	87	618	90	570	93	537	99	488	104
FPG40N8C12D*	1		398	32	375	36	325	40	286	45	239	50
	2	Freeze Prot.	508	46	485	50	435	54	395	59	349	65
	3	H1 <sup>H</sup>	669	95	646	99	596	102	557	108	510	113
	4	GC	508	46	485	50	435	54	395	59	349	65
	5	Y2	650	88	627	92	577	96	538	101	491	106
FPG20N8C18D*	1		334	28	295	31	248	34	215	40	166	44
	2	Freeze Prot.	390	29	351	32	303	36	270	42	221	46
	3	H1 <sup>H</sup>	390	29	351	32	303	36	270	42	221	46
	4	GC	683	97	644	100	596	103	563	109	514	113
	5	Y2	796	148	757	151	710	155	677	161	628	165
FPG30N8C18D*	1		334	28	295	31	248	34	215	40	166	44
	2	Freeze Prot.	390	29	351	32	303	36	270	42	221	46
	3	H1 <sup>H</sup>	505	44	466	47	419	51	386	57	336	61
	4	GC	683	97	644	100	596	103	563	109	514	113
	5	Y2	978	267	939	270	892	274	859	280	809	284
FPG40N8C18D*	1		398	32	375	36	325	40	286	45	239	50
	2	Freeze Prot.	445	34	422	38	371	42	332	47	285	52
	3	H1 <sup>H</sup>	688	102	665	106	615	109	575	115	529	120
	4	GC	688	102	665	106	615	109	575	115	529	120
	5	Y2	975	281	952	285	901	288	862	294	815	299
FPG50N8C18D*	1		431	56	409	62	384	68	355	74	324	78
	2	Freeze Prot.	457	62	436	68	410	74	382	80	351	84
	3	H1 <sup>H</sup>	769	180	747	186	722	193	693	198	662	203
	4	GC	706	144	684	150	659	157	630	163	599	167
	5	Y2	966	315	945	321	919	327	891	333	860	337
FPG60N8C18D*	1		361	43	319	46	280	51	245	58	217	62
	2	Freeze Prot.	465	68	423	71	384	77	349	83	321	88
	3	H1 <sup>H</sup>	945	317	903	320	864	325	829	332	801	336
	4	GC	686	144	644	147	605	152	571	159	542	163
	5	Y2	945	317	903	320	864	325	829	332	801	336

N/A - \*Do not operate this unit at static ranges outside of the temperature rise range.

Airflow shown tested at 70° DB at dry coil conditions

<sup>H</sup> denotes default heating tap

<sup>C</sup> denotes default cooling tap

Data is subject to change. Please verify most current information on [www.firstco.com](http://www.firstco.com).

**WARNING AVERTISSEMENT ADVERTENCIA**  
**Cancer and Reproductive Harm**  
**Cancer et Troubles de l'appareil reproducteur**  
**Cáncer y Daño Reproductivo**  
[www.P65Warnings.ca.gov](http://www.P65Warnings.ca.gov) LBY0057



*AMERICAN MADE. FAMILY OWNED.*



FIRST CO.  
P.O. BOX 270969 - DALLAS, TEXAS 75227  
PH. (214) 388-5751 | FAX (214) 388-2255  
[WWW.FIRSTCO.COM](http://WWW.FIRSTCO.COM)

**MARCH 2026**