

The HX series fan coils has added a field installed IAQ Rated filter box for standard 20 X 25 Filters. This filter rack is to be used for ducted supply applications. This IOM is a reference guide on how to properly install filter kit into units with factory installed enclosures.

IAQ RATED FILTER BOX ENCLOSURE INSTALLATION

⚠
WARNING
⚠

⚡
ELECTRIC SHOCK, FIRE OR
EXPLOSION HAZARD
⚡

Failure to follow safety warnings exactly could result in dangerous operation, serious injury, death or property damage.

Improper servicing could result in dangerous operation death or property damage.

- Before servicing, disconnect all electrical power to unit.
- Ensure that cabinet and filter rack are fully sealed.
- All electrical and service access panels must be returned and secured in their proper place
- Verify proper operation after servicing.
- Do not run unit without a filter

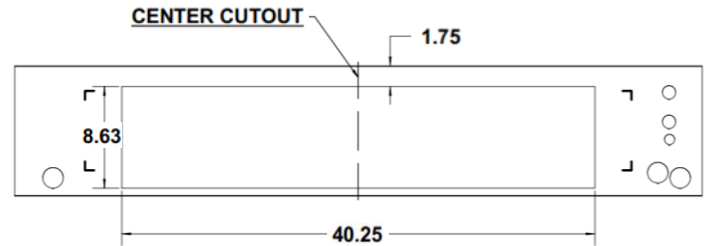


FIGURE 2– Double Filter Cutout, 8-5/8" X 40-1/4"

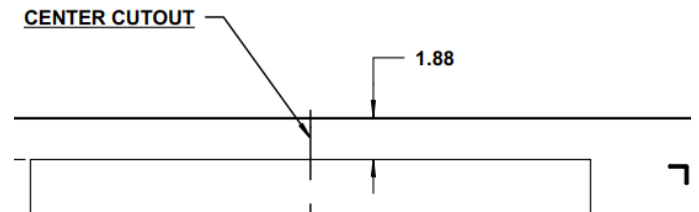


FIGURE 3 – Height from upper edge of cabinet to upper cutout portion, single filter, 1-7/8"

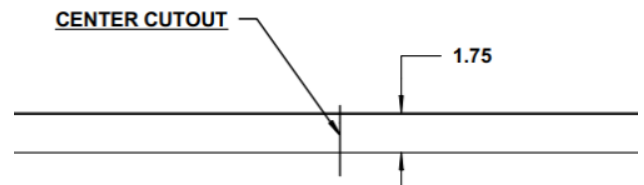


FIGURE 4 - Height from upper edge of cabinet to upper cutout portion, double filter, 1-3/4"

The kit is to be installed on the ducted return air panel of the HX enclosure.

- 1) Remove power from unit
- 2) Locate center of the cabinet, locate the upper edge of the cabinet
- 3) Make cutout based on the center and upper cabinet locations. Dimension will vary if using the single filter and double filter. See [Figure 1](#) and [2](#).

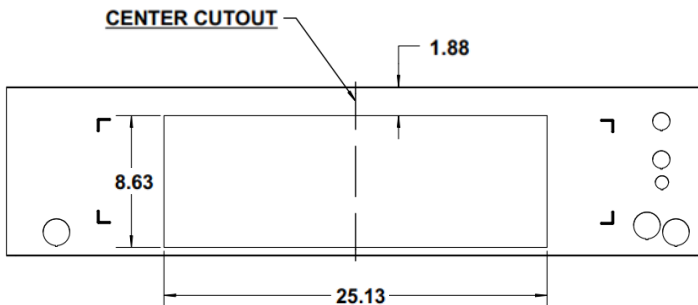


FIGURE 1 – Single Filter Cutout, 8-5/8" X 25-1/8"

- Line up left edge of cutout with inner left edge of the Filter rack, make top edge of cutout flush with inner top flange inside the filter rack. Refer to Figure 5

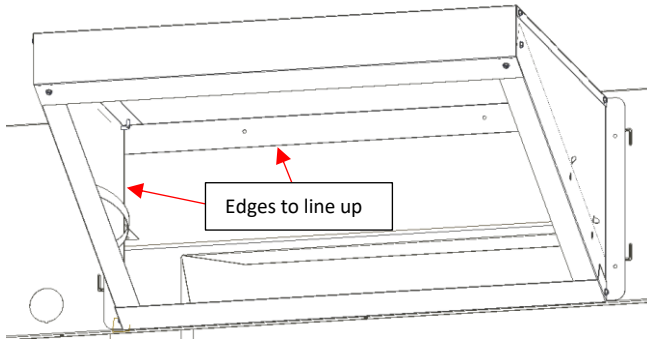


FIGURE 5 – Filter Rack Installation

- Hold assembly in place, add screws in locations shown in Figure 6

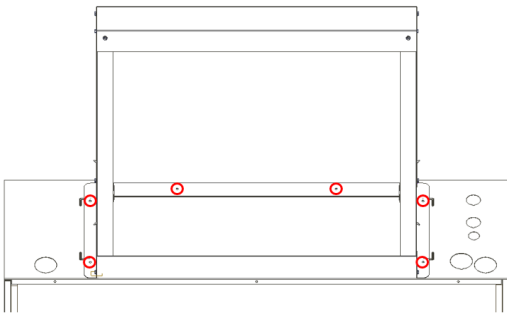


FIGURE 6 – Screw Locations

- Remove filter retaining clips from unit, slide the filter and reinstall the retaining clip. See Figure 7

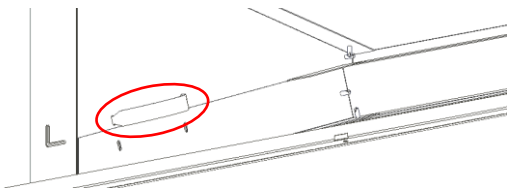


FIGURE 7– Retaining Clip Location

- Seal lower portion of filter. See Figure 8



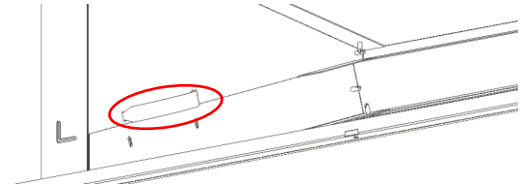
FIGURE 8 – Seal section

NOTE

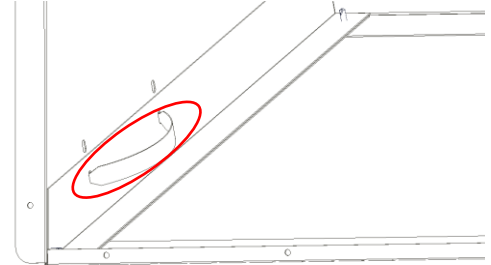
- Make sure supply duct meets dimensions of the filter rack.
- Filter Rack is compatible with 1" and 2" filter types. Simply follow steps listed below to retrofit filter

INSTALLING A 1" FILTER

- Remove seal from bottom section
- Remove retaining clips from upper slots on both sides



- Slide in 1" Filter
- Install retaining clips in lower slot portion



- Add seal at bottom section



The manufacturer works to continually improve its products and as a result, it reserves the right to change design and specifications without notice.