

# VHE Series

Vertical air handler

Chilled water / electric heat

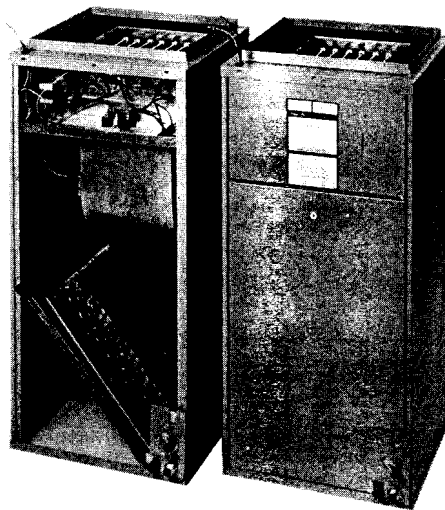
1 - 3 tons

0 - 15 KW



## Description :

The VHE series air handler is designed for commercial applications where a competitive vertical chilled water air handler with electric heating is required. Each air handler consists of a chilled water coil, 240V. motor, electric heat (except 0KW models), relay / transformer for low voltage control, and filter. All components are installed within an attractive, fully insulated, galvanized steel cabinet.



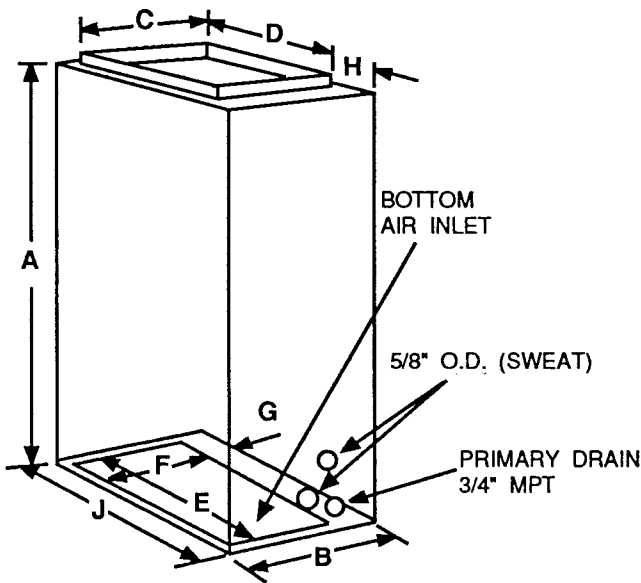
## FEATURES:

1. Completely prewired with 0 - 15KW electric heat
2. High efficiency copper tube coil
3. Throwaway filter
4. Fully insulated and painted galvanized steel cabinet
5. 24/240V. relay transformer for low voltage control
6. Direct drive motor
7. Bottom or left side return air capability (bottom is standard)
8. Compact size for tight locations
9. 3/4" MPT condensate drain
10. Motorized zone valves can be mounted externally. (field installed)



# VHE Series

## CHILLED WATER / ELECTRIC HEAT



PHYSICAL DIMENSIONS										
MODEL	A	B	C	D	E	F	G	H	J	FILTER SIZE
6VHE	36	12	10-1/2	15-3/4	18-3/4	6-3/8	4-3/4	3-5/8	20	12 x 20 x 1
8VHE	40	14	12-1/2	15-3/4	18-3/4	8-3/8	4-3/4	3-5/8	20	16 x 20 x 1
10/12VHE	42	20	18	16	18	14-1/2	4-1/2	3	20	20 x 20 x 1

Units suitable for 0 inch clearance to combustible material

PERFORMANCE DATA																	
MODEL	NOM. CFM	GPM	P.D. (FT. H <sub>2</sub> O)	COOLING		ELECTRIC HEAT CAPACITY				TOTAL AMPS		MIN. CIR. AMPACITY		MAX. FUSE OR BREAKER (HACR)			
				BTUH	SENSIBLE BTUH	KW		BTUH		240V	208V	240V	208V	240V	208V	240V	208V
						240V	208V	240V	208V								
6VHE	-0	600	2.0	3.4	12,700	12,000	0	0	0	0	3.0	2.6	20	18	20	20	
	-3		3.0	6.2	15,700	13,600	3	2.3	10,200	7,800	16	14					
	-4		4.0	10.0	17,600	14,100	4	3.0	13,600	10,200	20	17					
	-5						5	3.8	17,000	13,000	24	21					
	-6						6	4.5	20,500	15,300	28	25					
8VHE	-6	800	3.0	4.0	17,400	13,000	6	4.5	20,500	15,300	28	25	35	31	35	35	
	-8		4.0	6.4	19,300	14,700	8	6.0	27,300	20,500	36	32					
	-8		5.0	9.3	20,600	15,700	10	7.5	34,100	25,600	45	39					
	-10																
10VHE	-0	1000	4.5	5.5	26,600	21,700	0	0	0	0	2.5	2.2	30	27	30	30	
	-5		6.0	9.0	29,400	22,600	5	3.8	17,000	13,000	23.3	20.8					
	-8		7.5	13.0	31,300	23,400	8	6.0	27,300	20,500	35.8	31.3					
12VHE	-10	1200	4.5	6.9	31,400	23,400	10	7.5	34,100	25,600	44.2	38.5	56	49	60	50	
	-15		6.0	11.4	34,700	24,900	15	11.3	51,100	38,500	65.0	56.8					
			7.5	16.4	37,000	25,700											

NOTES: 1. Cooling is at 45 degree EWT and 80 DB/67 WB entering air

BLOWER DATA									
MODEL	FAN SPEED	DUTY	VOLTS	CFM VS. STATIC PRESSURE					
				0.05	0.10	0.20	0.25	0.30	0.40
6VHE	HIGH	COOL	240	710	690	660	640	615	540
	LOW	HEAT	240	660	645	615	600	580	565
8VHE	HIGH	COOL	240	845	830	805	785	760	680
	LOW	HEAT	240	730	725	705	685	660	650
10VHE	LOW	COOL	240	1110	1100	1070	1055	1035	990
	LOW	HEAT	240	1110	1100	1070	1055	1035	990
12VHE	HIGH	COOL	240	1250	1230	1190	1165	1140	1090
	LOW	HEAT	240	1110	1100	1070	1055	1035	995

All technical specifications subject to change without notice.



**FIRST CO.**  
 8273 Moberly Lane  
 Dallas, Texas 75227  
 (214) 388-5751  
 FAX (214) 388-2255