

VDX-HP Series

Vertical Upflow Air Handler
(Convertible to Horizontal - except 18VDX)
Heat Pump or DX / Electric Heat
1-1/2 through 3 tons, 0 - 15kW



Description :

The **VDX-HP** series air handler is a very versatile and compact air handler compatible with most major brands of split condensing units and heat pumps. The **VDX-HP** is completely factory assembled with a cooling coil, electric heat (except 0kW models), 240V motor, relay/transformer, and throw away filter. All components are installed within a fully insulated, galvanized steel cabinet.

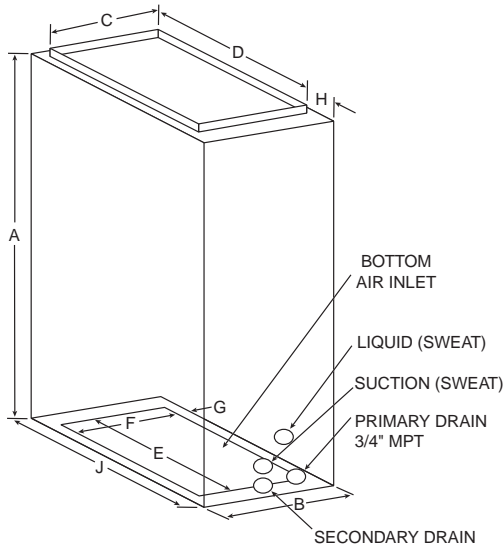


FEATURES:

1. Completely **prewired** with 0-15kW electric heat (except 0kW models)
2. **High efficiency** copper tube coil with piston-type metering device
3. Throw away **filter**
4. Fully **insulated** galvanized steel cabinet
5. 24/240V **relay / transformer** for low voltage control
6. Field installed **horizontal drain pan kit:** (Airflow from right to left)
Kit #935-1 fits 24-36 VDX-HP
7. Field installed **circuit breaker disconnect:**
Kit #945-1 fits 24-36 VDX-HP (0-10KW only)
8. **Bottom or left side return air** capability
9. **Primary and secondary** condensate drains

VDX-HP Series

HEAT PUMP / DX - WITH ELECTRIC HEAT



PHYSICAL DIMENSIONS												
UNIT MODEL	A	B	C	D	E	F	G	H	J	LIQ.	SUCT.	FILTER
18VDX-HP	36	12	10-1/2	15-3/4	18-3/4	6-3/8	4-3/4	3-5/8	20	3/8	5/8	12 X 20 X 1
24VDX-HP	40	14	12-1/2	15-3/4	18-3/4	8-3/8	4-3/4	3-5/8	20	3/8	5/8	16 X 20 X 1
30VDX-HP 36VDX-HP	42	20	18	16	18	14-1/2	4-1/2	3	20	3/8	5/8	20 X 20 X 1

BLOWER DATA										
UNIT MODEL	MOTOR HP (240V)	DUTY	FAN SPEED	CFM vs. EXTERNAL STATIC PRESSURE						
				0.05	0.10	0.20	0.25	0.30	0.40	
18VDX-HP	1/6	COOL HEAT	HIGH LOW	710	690	660	640	615	565	
				660	645	615	600	580	540	
24VDX-HP	1/4	COOL HEAT	HIGH LOW	845	830	805	785	760	680	
				730	725	705	685	660	650	
30VDX-HP	1/4	COOL HEAT	LOW LOW	1110	1100	1070	1055	1035	990	
				1110	1100	1070	1055	1035	990	
36VDX-HP	1/4	COOL HEAT	HIGH LOW	1250	1230	1190	1165	1140	1090	
				1110	1100	1070	1055	1035	995	

"In keeping with its policy of continuous progress and product improvement, First Co. reserves the right to make changes without notice."

IMPORTANT - Contact the factory for compatible air handler / condensing unit combinations.

PERFORMANCE DATA												
UNIT MODEL	NOMINAL CFM	NOMINAL COOLING BTUH	HEATING CAPACITY				TOTAL AMPS		MINIMUM CIRCUIT AMPACITY		MAX. FUSE OR HACR BREAKER	
			kW		BTUH		240V	208V	240V	208V	240V	208V
			240V	208V	240V	208V						
18VDX-HP	600	15,000 & 18,000	0	0	0	0	3	2.6	---	---	---	---
			3	2.3	10,200	7,800	16	14	20	18	20	20
			4	3.0	13,600	10,200	20	17	25	22	25	25
			5	3.8	17,000	13,000	24	21	30	27	30	30
			6	4.5	20,500	15,300	28	25	35	31	35	35
			8	6.0	27,300	20,500	36	32	46	40	50	40
			10	7.5	34,100	25,600	45	39	56	49	60	50
24VDX-HP	800	18,000 & 24,000	0	0	0	0	3	2.6	---	---	---	---
			3	2.3	10,200	7,800	16	14	20	18	20	20
			4	3.0	13,600	10,200	20	17	25	22	25	25
			5	3.8	17,000	13,000	24	21	30	27	30	30
			6	4.5	20,500	15,300	28	25	35	31	35	35
			8	6.0	27,300	20,500	36	32	46	40	50	40
			10	7.5	34,100	25,600	45	39	56	49	60	50
30VDX-HP	1000	24,000 & 30,000	0	0	0	0	2.5	2.2	---	---	---	---
			5	3.8	17,000	13,000	23.3	20.8	30	27	30	30
			8	6.0	27,300	20,500	35.8	31.3	47	40	50	40
			10	7.5	34,100	25,600	44.2	38.5	56	49	60	50
			15	11.3	51,100	38,500	65.0	56.8	82	71	90	80
36VDX-HP	1200	30,000 & 36,000	0	0	0	0	2.5	2.2	---	---	---	---
			5	3.8	17,000	13,000	23.3	20.8	30	27	30	30
			8	6.0	27,300	20,500	35.8	31.3	47	40	50	40
			10	7.5	34,100	25,600	44.2	38.5	56	49	60	50
			15	11.3	51,100	38,500	65.0	56.8	82	71	90	80

NOTES:

- 1) Nom. cooling at 45°F suction temp. 80°F DB/ 67°F WB air on.
- 2) 30VDX-HP and larger require use of supply wiring rated 75°C or higher.
- 3) 15kW and larger have internal fusing.
- 4) Filter included.
- 5) Units suitable for installation with 0" clearance to combustible material.