

# FIRST CO. UNIVERSAL MULTI-MATCH COILS!



**FIRST CO.**

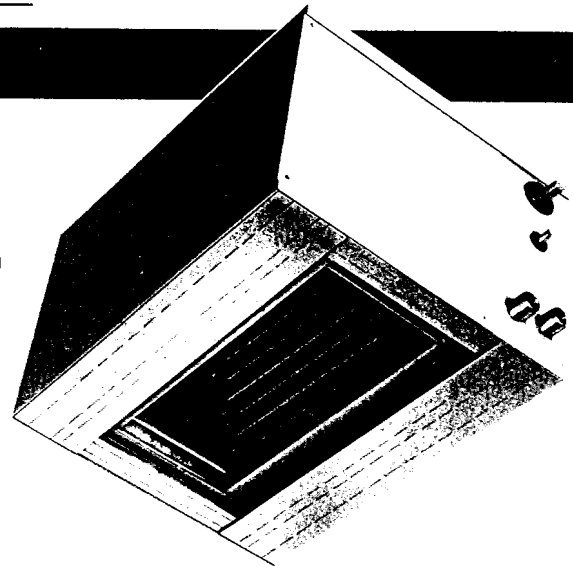
Series **VC, HC, MHC**  
Evaporator Coils  
Vertical - Horizontal

**VC Series - VERTICAL HEAT PUMP or DX COIL**  
**HC Series - HORIZONTAL HEAT PUMP or DX COIL**  
**MHC Series - HEAT PUMP or DX MOBILE HOME COIL**

## VC SERIES Vertical Heat Pump or DX Evaporator Coil (2 through 5 Tons)

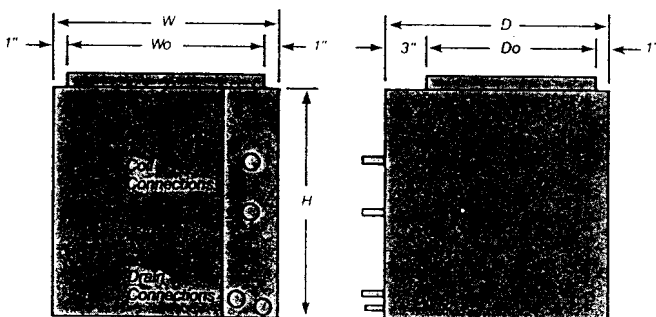
Combining its patented "Universal" coil box with the all new "Multi-Match" evaporator coil, FIRST CO. introduces the VC Series – the most versatile coil available today!

- Can be used for either heat pump or DX.
- Fits virtually every upflow gas furnace.
- Each coil can be matched with up to 3 different condensing unit sizes to achieve a multitude of capacities and efficiencies.
- Can reduce normal inventory needs from 20 to 40 different coil versions to only 6!
- Standard, medium and high efficiency from only one coil!



### Features:

1. Universal coil box – with patented break-away on the bottom for correct fit.
2. Piston-type metering device – piston can be changed to allow proper operation with up to 3 different condensing unit sizes per coil. Largest piston is factory installed.
3. Stucco embossed galvanized cabinet.
4. Primary and secondary drains.
5. Fully insulated cabinet prevents condensation and maximizes efficiency.
6. Copper tube/aluminum fins.



Bottom has multiple breakaways to allow matching with different furnaces.

MODEL	NOMINAL TONS	W	D	H	OUTLET		SUCTION O.D.	LIQUID O.D.
					Wo	Do		
VC2418	1.5-2.0	6 1/2	21	18	4 1/2	17	3/4	3/8
VC3024	2.0-2.5	21	21	17	19	17	3/8	3/8
VC3624	2.0-3.0	21	21	17	19	17	3/8	3/8
VC4230	2.5-3.5	24 1/2	21	21	22 1/2	17	3/4	3/8
VC4836	3.0-4.0	24 1/2	21	21	22 1/2	17	3/4	1/2
VC6048	4.0-5.0	28	21	22 1/2	26	17	7/8	1/2

### Notes:

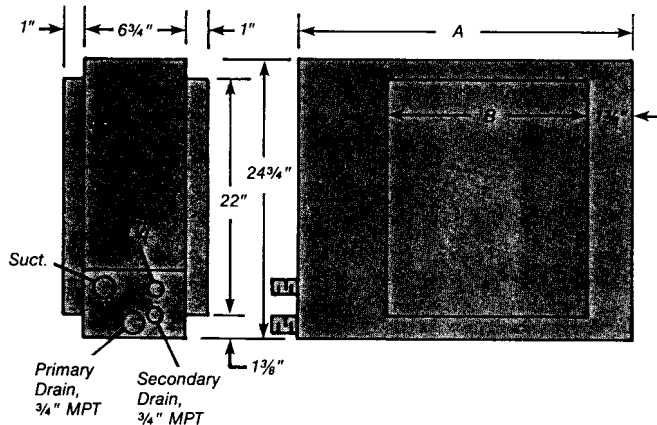
- (1) Nominal capacities are based on 80 DB/67 WB at approximately 45° suction with 400 CFM/ton.
- (2) Liquid lines are flare connections and suction lines are sweat connections.
- (3) All coil boxes have primary and secondary 3/4" MPT drains.
- (4) Contact the factory for capacity and efficiency information.
- (5) Coil box patent no. 4,633,766.

# HC SERIES

## Horizontal Heat Pump or DX Evaporator Coil (2 through 5 Tons)

FIRST CO.'s piston-type metering device is also installed on this product to allow the same versatility as the VC Series Coil.

Standard, medium and high efficiency can be obtained by proper matching of the outdoor unit with this one series of horizontal coils.



All technical specifications subject to change without notice.

### Features:

1. Piston-type metering device – can be changed to allow proper operation with up to 3 different condensing unit sizes per coil. Largest piston is factory installed.
2. Stucco-embossed galvanized cabinet.
3. Primary and secondary drain connections.
4. Fully insulated cabinet.
5. Copper tube/aluminum fins.

MODEL	NOMINAL TONS	A	B	SUCTION O.D.	LIQUID O.D.
HC3024	2.0-2.5	22 1/2	18	5/8	3/8
HC4230	2.5-3.5	30 1/2	26	7/8	3/8
HC6048	4.0-5.0	37 1/2	33	7/8	1/2

### Notes:

- (1) Nominal capacities are based on 80 DB/67 WB at approximately 45° suction with 400 CFM/ton.
- (2) Liquid lines are flare connections and suction lines are sweat connections.
- (3) Contact the factory for capacity and efficiency information.

# MHC SERIES

## Vertical Heat Pump or DX Mobile Home Coil (2 through 4 Tons)

Two Models (uncased):

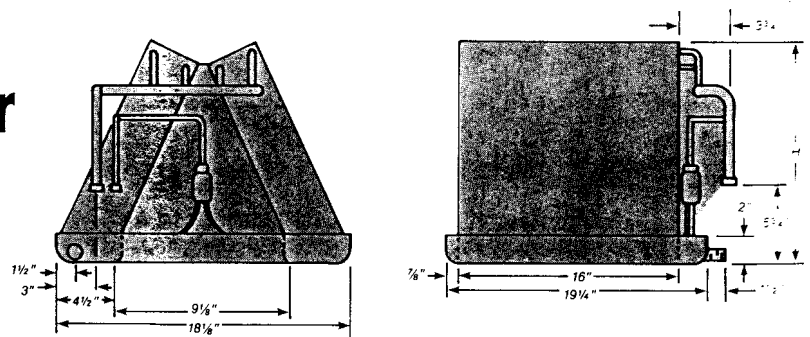
- MHC3630 for use on 2 1/2 & 3 ton applications.
- MHC4842 for use on 3 1/2 & 4 ton applications.

MHC Series coils are designed to install inside or on top of various mobile home air handlers.

MODEL	NOMINAL TONS	H	ROWS	SUCTION O.D.	LIQUID O.D.
MHC4842	3.5-4.0	16 1/2	4	3/4	3/8

### Notes:

- (1) Nominal capacities are based on 80 DB/67 WB at approximately 45° suction with 400 CFM/ton.
- (2) Liquid line and suction connections are sweat.
- (3) Drain connection is 3/4" MPT.
- (4) Contact the factory for capacity and efficiency information.



### Features:

1. Piston-type metering devices – coils are shipped with extra piston for proper match-up with outdoor units. Largest piston is factory installed.
2. Copper tube/aluminum fins.
3. Deep draw galvanized drain pan.



8273 Moberly Lane Dallas, Texas 75227 (214) 388-5751 FAX: 214-388-2255