



# UHX Series

## *HORIZONTAL FAN COIL UNIT*

### *DX COOLING*

***WITH or WITHOUT ELECTRIC HEAT***  
**1-1/2 thru 2-1/2 TONS, 0 - 10KW**

**Description :**

The **UHX** series fan coil is designed to be installed in a furr down ceiling thus saving valuable floor space and eliminating an expensive "equipment" closet. The space-saving **UHX** is only 10" high and is engineered to provide easy access for service and maintenance of the entire fan coil from below. All models are completely compatible with major brands of straight cool condensing units. Each fan coil comes completely assembled and pre-wired and includes a 24V transformer, 240V motor, insulated drain pan, electric heat (except 0kW models), and high efficiency copper tube / aluminum fin coil. All models are dual rated for 208/240V.



(optional non louvered access panel)



**FEATURES:**

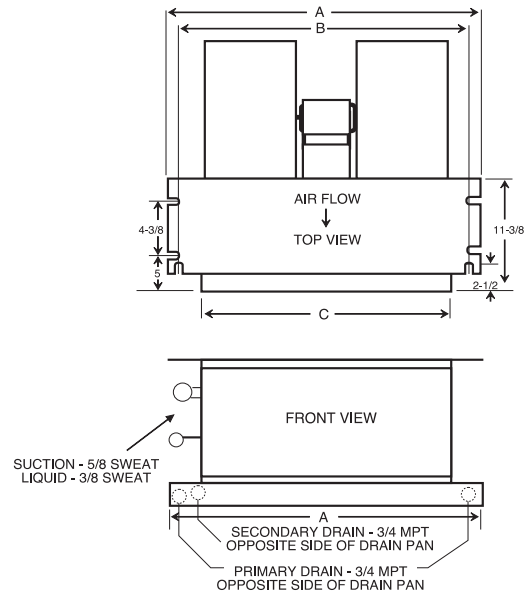
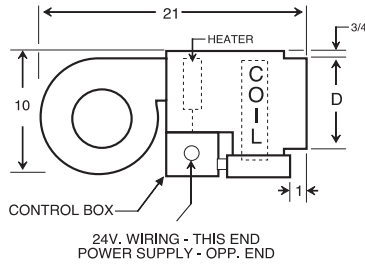
1. Completely **prewired** with 0 - 10kW electric heat (except 0kW models)
2. Low silhouette, only **10" high**
3. **Primary and secondary** condensate drains
4. **High efficiency** copper tube coil with aluminum fins and piston type metering device
5. **Galvanized steel** construction
6. **Insulated, sloped and coated drain pan**
7. Attractive **metal access panels** available



FOR FAN COIL #	DESCRIPTION	ACCESS PANEL PART #	FRAME DIM. (L X W)
19UHX	NON-LOUVERED	965-1	43 X 27-1/2
	LOUVERED	965	
25UHX	NON-LOUVERED	966-1	49 X 27-1/2
	LOUVERED	966	
31UHX	NON-LOUVERED	967-1	55-1/2 X 27-1/2
	LOUVERED	967	

# UHX Series

## HORIZONTAL FAN COIL



PHYSICAL DIMENSIONS				
UNIT MODEL	A	B	C	D
19UHX	37-1/4	34-11/16	30	6-1/2
25UHX	43-1/4	40-11/16	36	6-1/2
31UHX	49-1/4	46-11/16	42	6-1/2

BLOWER DATA								
UNIT MODEL	MOTOR HP (240V)	CFM vs. EXTERNAL STATIC PRESSURE						
		0.00	0.05	0.10	0.15	0.20	0.25	0.30
19UHX	1/8	775	750	715	685	650	615	580
25UHX	1/4	960	935	910	885	860	830	800
31UHX	1/4	1140	1105	1070	1030	990	950	900

PERFORMANCE DATA									
UNIT MODEL	NOM. CFM	NOM. COOL BTUH	HEAT (1)		MIN. CIRCUIT AMPACITY		MAXIMUM FUSE (2)		
			kW	BTUH	208V	240V	208V	240V	
									208V
19UHX	600	19,000	---	---	---	---	---	---	
			-0-51	---	---	---	---	---	---
			-3	3	10,200	15	18	15	20
			-5	5	17,000	24	30	25	30
			-6	6	20,500	29	35	30	35
25UHX	800	24,000	-8	8	27,300	38	47	40	50
			-10	10	34,100	47	55	50	60
			-0-59	---	---	---	---	---	---
			-5	5	17,000	25	30	25	30
			-6	6	20,500	29	35	30	35
31UHX	1000	30,000	-8	8	27,300	39	47	40	50
			-10	10	34,100	48	55	50	60
			-0-63	---	---	---	---	---	---
			-5	5	17,000	25	30	25	30
			-6	6	20,500	29	35	30	35

Approved for installation with 0" clearance to combustible materials

"In keeping with its policy of continuous progress and product improvement, US A/C Products reserves the right to make changes without notice."

Rated in accordance with ARI Standard 210.

- (1) All BTUH heating ratings at 240V - derate heating capacities by 25% for 208V.
- (2) Maximum Fuse or HACR-type circuit breaker.

