

DX Cooling/
Hot Water Heating

12/19/86



FIRST CO.

WALL MOUNT FAN COIL UNITS

7 START

Series **RME-HW**
Vertical Fan Coil
DX Cooling/Hot Water Heating

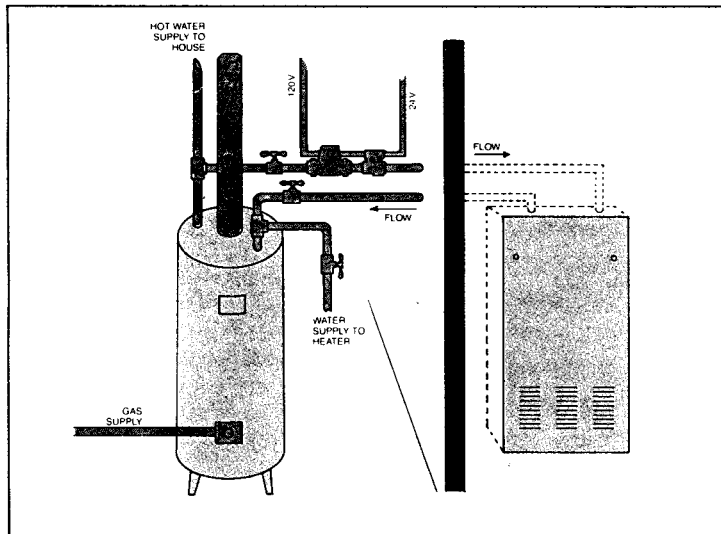
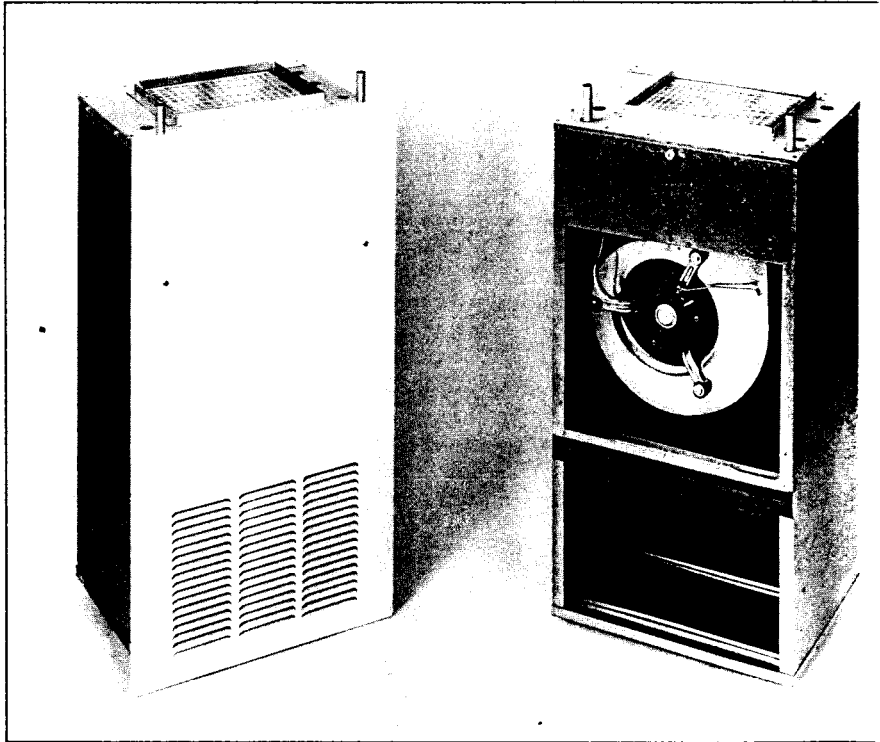
1½ Ton thru 3 Ton Sizes

Obs. 9/28/88

Space-Saving Wall-Recessed Vertical Fan Coil Units

First Co. Aqua-Therm Aire system eliminates the need for a gas furnace with associated flue...and offers outstanding advantages where...

- Gas is competitively priced in the area.
- Air-conditioning is also desired.
- Individual unit control is a must requirement.
- First cost has a high priority.
- Minimum maintenance is desired.

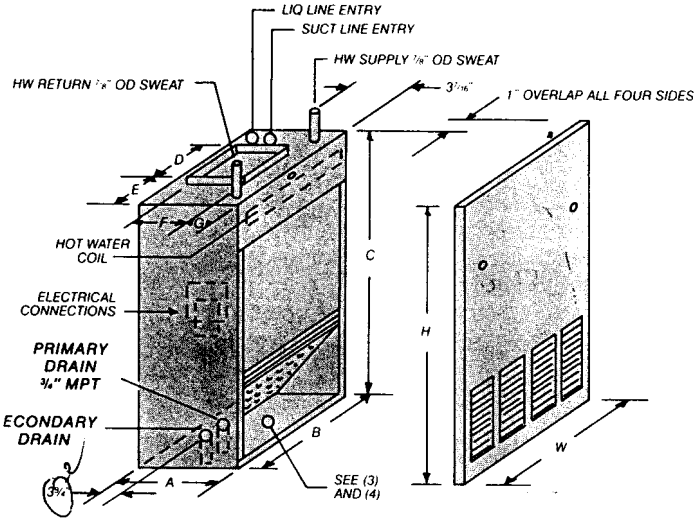


This system provides individual unit control over the heating and air conditioning system. Cooling is provided from individual electric condensing units. Heating is provided by circulating water from the gas fired water heater through a heating coil built in the air handling unit. Consequently, the additional gas line and flue associated with a gas fired warm air furnace is eliminated.

Contact Factory for information on sizing the Aqua-Therm Aire system or selecting accessories.

This unit can also be used on Closed Loop heating systems with central boilers.

RME-HW Direct Expansion Cooling Hot Water Heating



MODEL	A	B	C	D	E	F	G	FILTER SIZE	LIQUID LINE	SUCTION LINE
18RME	18 1/8"	19 5/8"	41 5/8"	14"	4"	12"	5 1/8"	18x20x1	3/8" O.D.	5/8" O.D.
24RME	18 1/8"	22 5/8"	41 5/8"	16"	4"	12"	5 1/8"	20x20x1	3/8" O.D.	5/8" O.D.
30RME	21 1/8"	28 5/8"	45 5/8"	22"	6 3/8"	15"	5 1/8"	20x25x1	3/8" O.D.	3/4" O.D.
36RME	21 1/8"	28 5/8"	45 5/8"	22"	6 3/8"	15"	5 1/8"	20x25x1	3/8" O.D.	3/4" O.D.

WALL PANEL PART NO.	USED ON UNIT MODEL	SIZE W x H	TYPE
920	18RME	21 1/2" x 43 1/2"	LOUVERED
921	24RME	24" x 43 1/2"	LOUVERED
922	30 & 36 RME	30" x 47"	LOUVERED

NOTES:

- (1) All wall units are furnished standard with the louvered panel. If non-louvered panel is required, contact factory.
- (2) Approved for installation with 0" clearance to combustible material.
- (3) Condensate drain exits out bottom of drain pan, simplifying installation.
- (4) Removable bottom panel offers simple, easy access to condensate drain.
- (5) Removable throwaway filter standard with all models.

MODEL	MOTOR AMPS (120 V)	CFM vs. STATIC PRESSURE					
		0.05	0.10	0.15	0.20	0.25	0.30
18RME	6.0	750	735	710	690	660	635
24RME	6.5	1050	1030	1005	980	950	920
30RME	6.5	1240	1210	1185	1150	1120	1085
36RME	8.5	1560	1525	1485	1445	1400	1360

Blower Data is for 2-row hot water coil units. For units with 3-row hot water coils, deduct 0.03 from static pressure shown.

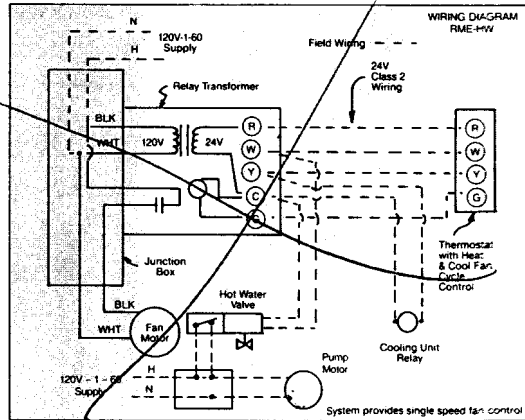
MODEL	NOM. COOL BTUH	GPM (HEATING)	P.D.	HEATING BTUH (1000) AT ENT. WATER TEMP.(3)		
				120°F	140°F	180°F
18RME-2HW	18,000	3	1.6	15.0	21.0	33.0
			0.8	13.8	19.4	30.5
			0.2	10.3	14.5	22.8
24RME-2HW	24,000	3	1.8	18.9	26.5	41.6
			0.9	17.0	23.8	37.4
			0.2	12.8	18.0	28.3
30RME-2HW	30,000	5	3.9	28.2	39.5	62.0
			1.6	25.0	35.0	55.0
			0.25	15.0	21.0	33.0
36RME-2HW	36,000	5	3.9	30.7	43.0	67.5
			1.6	28.2	39.5	62.0
			0.25	17.1	24.0	37.7
MODEL	NOM. COOL BTUH	GPM (HEATING)	P.D.	HEATING BTUH (1000) AT ENT. WATER TEMP.(3)		
				120°F	140°F	180°F
18RME-3HW	18,000	3	2.3	19.3	27.0	42.4
			1.1	17.6	24.7	38.8
			0.3	13.9	19.5	30.6
24RME-3HW	24,000	3	0.7	23.8	33.4	52.5
			0.3	21.4	30.0	47.1
			0.1	16.4	23.0	36.1
30RME-3HW	30,000	5	4.0	35.0	49.0	72.0
			1.6	31.4	44.0	69.1
			0.22	18.6	26.0	40.8
36RME-3HW	36,000	5	4.0	38.5	54.0	84.8
			1.6	33.9	47.5	74.6
			0.22	18.6	26.0	40.8

- (1) Motors are 120V/60 Hz.
- (2) Units include cap tube/strainer assemblies, sweat connections, filter, and relay transformer.
- (3) Heat BTUH at 70° entering air temperature.

All technical specifications subject to change without notice.



Aqua-Therm Aire Wiring Diagram



FAX



FIRST CO.
8273 Moberly Lane
Dallas, Texas 75227
(214) 388-5751