

# RCW-HP Series

Closet or Wall Recessed

Vertical Air Handler

Heat Pump or DX with Electric Heat

1-1/2 through 3 tons, 0 - 10KW



## Description :

The **RCW-HP** fan coil is shipped with a louvered access panel and comes with a factory installed 240V motor, 24V transformer, copper tube / aluminum fin coil, and throw away filter. Also see reverse side for optional field-installed accessories.

## FEATURES :

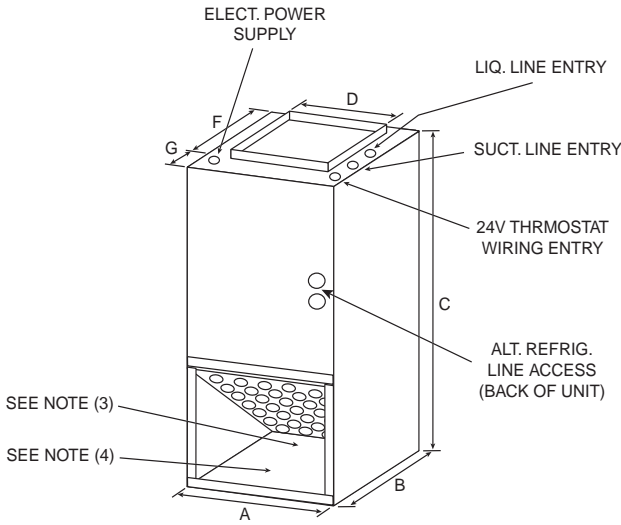
1. Factory installed **flange** on rear of unit for mounting on an inside closet wall (eliminates the platform)
2. Knockout provided for field installed **disconnect**
3. Completely **prewired** with 0-10 kw electric heat
4. Fully insulated **galvanized** steel cabinet
5. **High efficiency** copper tube/aluminum fin coil
6. Piston - type metering for **heat pump or DX**
7. **Attractive** "picture frame" access/return air panel available
8. Throw away **filter** installed
9. **3/4" MPT** primary and secondary condensate connections exit bottom of drain pan to allow the use of PVC drain pipe. Removable bottom panel offers simple, easy access to condensate drains.



Unit shown with optional wall panel



# RCW-HP Series HEAT PUMP / DX



PHYSICAL DIMENSIONS										
UNIT MODEL	A	B	C	D	E	F	G	FILTER SIZE	LIQUID LINE	SUCTION LINE
18, 24 RCW	20-1/8	16-1/8	39-1/4	12-1/2	4-3/8	10-3/8	3-3/4	16X20X1	3/8" O.D.	5/8" O.D.
19, 25 RCW	22-1/8	18-1/8	41-5/8	12-1/2	4	10-1/2	5-1/8	20X20X1	3/8" O.D.	5/8" O.D.
30, 31, 36 RCW	24-1/8	21-1/8	44-1/4	12-1/2	6-3/8	12	4-1/8	20X24X1	3/8" O.D.	5/8" O.D.
37 RCW	24-1/8	21-1/8	48-1/4	12-1/2	6-3/8	12	4-1/8	24X24X1	3/8" O.D.	3/4" O.D.

Coil connections are sweat.

BLOWER DATA										
UNIT MODEL	MTR. HP (240V)	FAN SPEED	DUTY	VOLTS	CFM vs. EXTERNAL STATIC PRESSURE					
					0.05	0.10	0.15	0.20	0.30	0.40
18,19 RCW	1/6	HIGH	COOL	240	725	705	680	655	605	510
		LOW	HEAT	240	695	675	655	635	590	490
24, 25 RCW	1/6	HIGH	COOL	240	820	805	790	770	735	650
		LOW	HEAT	240	710	705	695	685	660	600
30, 31 RCW	1/4	LOW	COOL	240	1065	1060	1055	1050	1020	960
		LOW	HEAT	240	1065	1060	1055	1050	1020	960
36, 37 RCW	1/4	HIGH	COOL	240	1255	1235	1215	1195	1150	1080
		LOW	HEAT	240	1070	1060	1055	1050	1020	960

"In keeping with its policy of continuous progress and product improvement, First Co. reserves the right to make changes without notice."

PERFORMANCE DATA																		
UNIT MODEL	NOM. CFM	(6) NOM. COOL BTUH	ELECTRIC HEAT CAPACITY				TOTAL		MIN. CIR. AMPACITY				MAX FUSE OR BREAKER (HACR)					
			kW		BTUH		AMPS		240V	208V	240V	208V	240V	208V	240V	208V		
			240V	208V	240V	208V	240V	208V	18-24 RCW		19-25 RCW		18-24 RCW		19-25 RCW			
18, 19 RCW	600	18,000	0	0	0	0	3.0	2.6	20	18	17	15	20	20	20	15		
			3	2.3	10,200	7,800	16	14										
			4	3.0	13,600	10,200	20	17										
24 RCW	800	18,000 - 24,000	5	3.8	17,000	13,000	24	21	30	27	30	24	30	30	30	25		
			6	4.5	20,500	15,300	28	25	35	31	33	29	35	35	35	30		
			8	6.0	27,300	20,500	36	32	46	40	43	37	50	40	50	40		
25 RCW	800	24,000	10	7.5	34,100	25,600	45	39	56	49	56	49	60	50	60	50		
			30 - 37 RCW															
			30 - 37 RCW															
30 RCW	1000	24,000 - 30,000	0	0	0	0	2.5	2.3	20	18			20	20				
			3	2.3	10,200	7,800	15	14										
			4	3.0	13,600	10,200	19	17										
31 RCW	1000	30,000	5	3.8	17,000	13,000	24	21	30	27	30	24	30	30	30	25		
			6	4.5	20,500	15,300	28	25	35	31	33	29	35	35	35	30		
			8	6.0	27,300	20,500	36	32	47	40	43	37	50	40	50	40		
36, 37 RCW	1200	30,000 - 36,000	10	7.5	34,100	25,600	45	39	56	49	56	49	60	50	60	50		

(6) Nom. cooling at 45 degree suct. temp. 80 DB/67 WB air on.

- Removable throw away filter standard with all models.
- Approved for installation with 0" clearance to combustible material.
- Condensate drain: Primary - 3/4", Secondary - 3/4" exits out bottom of drain pan, simplifying installation.
- Removable bottom panel offers simple, easy access to condensate drain.
- Contact factory for correct matching with outdoor unit.

**NOTES :**

- Hanger bracket attaches to closet wall to allow hanging of air handler inside closet.
- Optional wall panel has separate frame that attaches to wall studs.
- Dimensions of wall panels include frame.
- Wall panels are off-white in color and paintable.
- Disconnect does not protrude through wall panel.

OPTIONAL ACCESSORIES (FIELD INSTALLED)			
DESCRIPTION	PART # (5)	USED ON UNIT MODEL	DIMENSIONS
WALL PANEL	961	18/24 RCW	23-1/2W X 42-1/2H
WALL PANEL	959	19/25 RCW	25-1/2W X 45H
WALL PANEL	962	30/31/36 RCW	27-1/2W X 47-1/2H
WALL PANEL	957	37 RCW	27-1/2W X 51-1/2H
DISCONNECT KIT	945-1	ALL	N / A
HANGER BRACKET	919-2	ALL	26W X 1-1/2H