

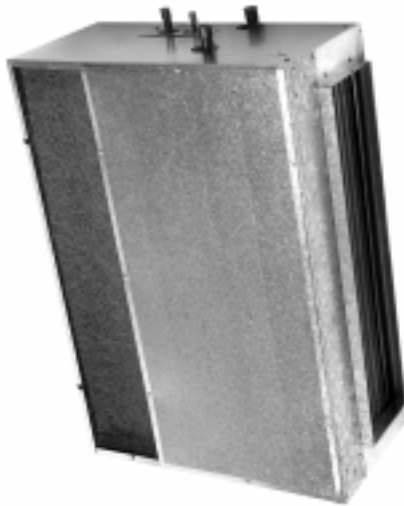
RCUA Series

Recessed Ceiling Mount
Horizontal **Cased** Fan Coil
Heat Pump or DX / Electric Heat
1 1/2 - 2 1/2 tons, 0 - 10kW



Description :

The **RCUA** series fan coil is only 11" high and designed to be recessed in a furr down hallway, bathroom, or other ceiling area. Each fan coil is shipped with an attractive access / return air panel, hanger brackets, 240V motor, 24V transformer, electric heat (except 0kW), copper / aluminum fin coil, and permanent filter. Non-louvered (solid) access panels are available if rear-return air is preferred. Contact factory for correct matching with outdoor unit.



(RCUA-HW SHOWN)



(UNIT SHOWN WITH
LOUVERED ACCESS PANEL)

FEATURES:

1. Completely **cased** - (see "NOTE" under "Access Panel" table for ducted rear return).
2. Factory installed **permanent filter** (unless solid access panel is ordered)
3. Completely **serviceable** from below
4. Engineered for **extremely quiet** operation
5. Liquid and suction lines are **sweat type** and expanded for easy connection
6. Fully **insulated galvanized steel** cabinet
7. **Access panel** shipped with each unit
8. **Hanger brackets** shipped with each unit
9. **High efficiency** copper tube coil with aluminum fins and piston type metering device
10. 3/4" MPT **primary and secondary** drain connections
11. Completely **prewired** with 0-10 kW electric heat and low voltage relay/transformer
12. **Insulated condensate pan**

RCUA Series

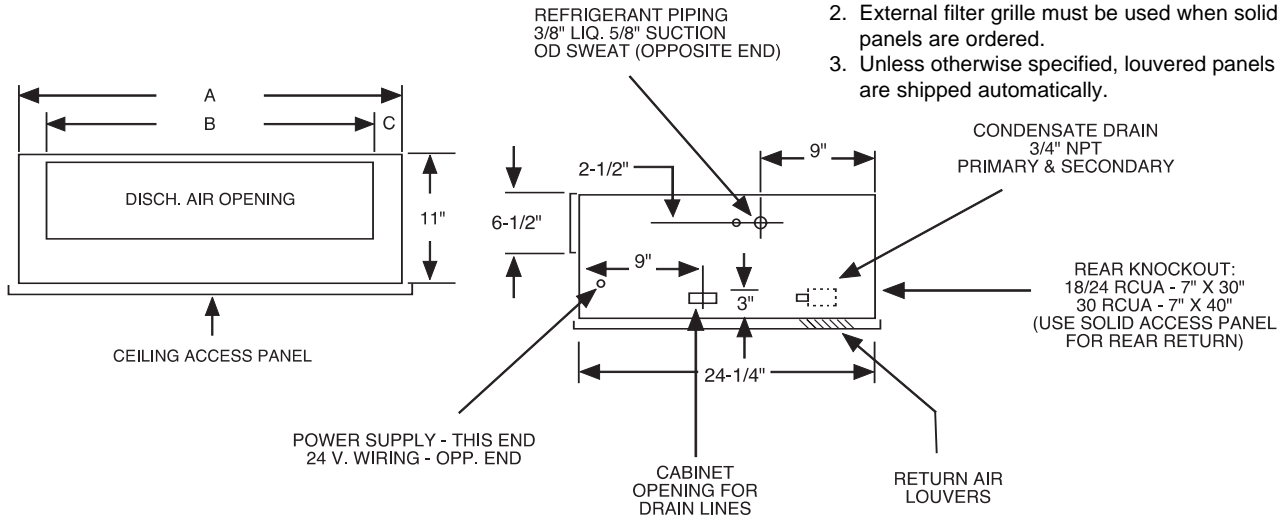
HORIZONTAL CASED FAN COIL



Approved for installation with 0 inch clearance to combustible materials.

ACCESS PANELS			
PART NUMBER	TYPE	USED ON MODEL	DIMENSIONS
963	LOUVERED	18 / 24 RCUA	39 X 27-1/2
964	LOUVERED	30 RCUA	49 X 27-1/2
963-1	SOLID	18 / 24 RCUA	39 X 27-1/2
966-1	SOLID	30 RCUA	49 X 27-1/2

- NOTES:**
- For ducted rear return, order solid panel and cut out rear knockout where indicated. A field-fabricated panel must be installed over the bottom return air opening.
 - External filter grille must be used when solid panels are ordered.
 - Unless otherwise specified, louvered panels are shipped automatically.



BLOWER DATA							
UNIT MODEL	MOTOR HP (240V)	CFM vs. EXTERNAL STATIC PRESSURE					
		0.05	0.10	0.15	0.20	0.25	0.30
18RCUA	1/8	675	660	640	615	595	570
24RCUA	1/4	825	800	780	755	735	710
30RCUA	1/3	1000	980	950	925	895	870

PHYSICAL DIMENSIONS			
UNIT MODEL	A	B	C
18 / 24RCUA	35-1/2	30	2-3/4
30RCUA	45-1/2	36	4-3/4

PERFORMANCE DATA													
UNIT MODEL	NOM. CFM	(1) (2) NOM. COOL BTUH	HEATING CAPACITY				TOTAL AMPS		MIN. CIR. AMPACITY		MAX/ FUSE OR HACR BREAKER		
			kW		BTUH								
			240V	208V	240V	208V	240V	208V	240V	208V	240V	208V	
18RCUA & 24RCUA	-0	600	18,000	0	0	0	0	2	1.8				
	-3			3	2.3	10,200	7,800	15	13	20	17	20	20
	-5			5	3.8	17,000	13,000	23	20	30	25	30	30
	-6			6	4.5	20,500	15,300	27	23	35	30	35	30
	-8			8	6.0	27,300	20,500	35	31	47	40	50	40
30RCUA	-10	1000	30,000	10	7.5	34,100	25,600	44	38	55	48	60	50
	-0			0	0	0	3	2.7					
	-3			3	2.3	10,200	7,800	16	14	20	17	20	20
	-5			5	3.8	17,000	13,000	24	21	30	26	30	30
	-6			6	4.5	20,500	15,300	28	25	35	30	35	30
30RCUA	-8	1000	30,000	8	6.0	27,300	20,500	37	32	47	40	50	40
	-10			10	7.5	34,100	25,600	45	39	56	49	60	50

- Nom. cooling at 45°F suction temp., 80°F DB/67°F WB air on.
- Contact factory for correct matching with outdoor unit.

NOTES:

- All units require 75°C wire for line voltage connections.

In keeping with its policy of continuous progress and product improvement, First Operations reserves the right to make changes without notice. Maintenance for all First Co. products is available under "Product Maintenance" at www.firstco.com