

# MAX Series

Vertical / Horizontal / Counterflow Air Handler  
Heat pump or DX - with electric heat  
1-1/2 - 5 tons, 0 - 25KW



## Description :

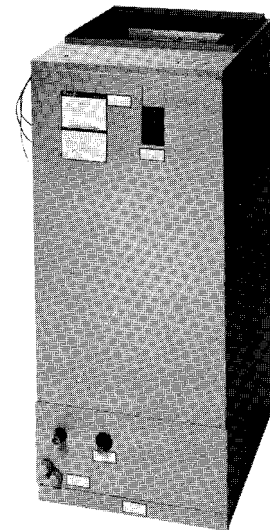
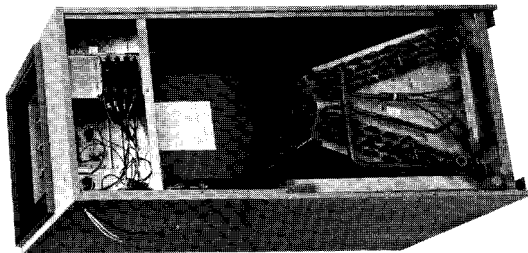
The MAX series air handler is designed to offer the industry an air handler that includes every available feature as well as the highest efficiency possible when matched with today's higher efficiency condensing units and heat pumps. The MAX is completely factory assembled with a cooling coil, electric heat (except 0KW models), 240V motor, relay / transformer, horizontal drain pan, electrical disconnect (over 10KW models), and throwaway filter. All components are installed within a fully insulated, galvanized steel cabinet with an attractive epoxy finish.

**New Feature:** Field installable expansion valve kit for optimum cooling performance.  
Counterflow conversion kits available (see #10 below)

**MAXimum** *efficiency*

**MAXimum** *cooling*

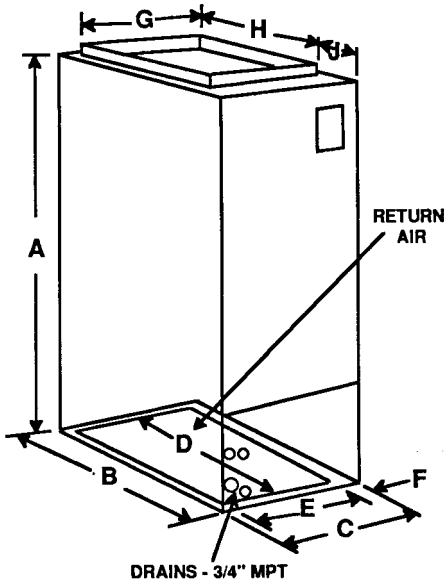
**MAXimum** *features*



## FEATURES:

1. Completely prewired with 0-25KW electric heat (except 0KW models)
2. High efficiency copper tube coil with piston-type metering device and extra large surface area
3. Optional expansion valve kit for cooling coil (field installed)  
For 18/24MAX, order Part # 978-5  
For 30/36MAX, order Part # 978-6  
For 48MAX, order Part # 978-7  
For 60MAX, order Part # 978-8
4. Throwaway filter
5. Fully insulated and painted galvanized steel cabinet
6. 24/240V. relay/transformer for low voltage control
7. Factory installed horizontal drain pan (air flow from right to left)
8. Factory installed electrical disconnect (over 10KW models)
9. Primary and secondary condensate drains.
10. Counterflow conversion kits - (contact factory for approved installation) (field installed)  
For 18-36MAX, order Part # 919-5  
For 48-60MAX, order Part # 919-6

# MAX Series



PHYSICAL DIMENSIONS												
UNIT MODEL	A	B	C	D	E	F	G	H	J	LIQ. (SWEAT)	SUCT. (SWEAT)	FILTER
18/24MAX	40	20	20	18-1/2	16	2	18	16	3	3/8	5/8	18 x 20 x 1
30/36MAX	42	23	20	21-1/2	16	2	18	17	5	3/8	3/4	20 x 22 x 1
48/60MAX	48	28	21-1/4	26-1/4	17	2	19-7/8	18-1/2	8-7/8	1/2	7/8	20 x 25 x 1

BLOWER DATA										
UNIT MODEL	FAN SPEED	DUTY	MOTOR H.P. (240V)	CFM vs. EXTERNAL STATIC PRESSURE						
				0.10	0.15	0.20	0.25	0.30	0.40	0.50
18MAX	LOW	COOL	1/6	780	750	720	700	660	600	510
				780	750	720	700	660	600	510
24MAX	HIGH	COOL	1/6	900	880	860	830	790	700	600
				740	710	690	660	630	570	490
30MAX	LOW	COOL	1/3	1210	1190	1160	1140	1110	1050	990
				1210	1190	1160	1140	1110	1050	990
36MAX	HIGH	COOL	1/3	1410	1380	1340	1310	1270	1190	1060
				1170	1150	1130	1100	1080	1030	970
48MAX	HIGH	COOL	1/2	1760	1730	1680	1640	1580	1480	1360
				1490	1460	1430	1400	1370	1300	1210
				1280	1260	1230	1210	1190	1130	1080
60MAX	HIGH	COOL	3/4	2130	2110	2090	2060	2025	1930	1820
				1890	1880	1860	1840	1820	1760	1660

All technical specifications subject to change without notice.

NOTE: Use 48MAX for 3.5 ton applications and field convert to medium speed for cooling.

PERFORMANCE DATA														
UNIT MODEL	NOM. CFM	(1) NOM. COOL BTUH	(4) COIL #	ELECTRIC HEAT CAPACITY				TOTAL AMPS		MIN. CIR. AMPACITY		MAX. FUSE OR HACR BREAKER		
				KW		BTUH		240V	208V	240V	208V	240V	208V	
				240V	208V	240V	208V							
18MAX & 24MAX	600	18,000	USM318AP	0	0	0	0	1.6						
				3	2.3	10,200	7,700	14	13	18	16	20	20	
				4	3	13,600	10,200	19	16	23	20	25	20	
	800	24,000	USM424AP	5	3.8	17,000	13,000	23	20	28	25	30	25	
				6	4.5	20,500	15,400	27	24	36	29	40	30	
				8	6	27,300	20,500	35	31	46	38	50	40	
10				10	7.5	34,100	25,600	44	38	54	47	60	50	
30MAX & 36MAX	1,000	30,000	USM330AP	0	0	0	0	2.5						
				5	3.8	17,000	13,000	24	21	30	26	30	30	
				8	6	27,300	20,500	36	32	46	40	50	40	
	1,200	36,000	USM436AP	10	7.5	34,100	25,600	45	39	56	49	60	50	
				10	7.5	34,100	25,600	45	39	56	49	60	50	
				(2) 15	11.3	51,100	38,500	45	39	56	49	60	50	
				15	11.3	51,100	38,500	45	39	56	49	60	50	
48MAX	1,600	48,000	USM348AP	0	0	0	0	3.5						
				5	3.8	17,000	13,000	25	22	30	27	30	30	
				8	6	27,300	20,500	37	33	47	40	50	40	
				10	7.5	34,100	25,600	46	40	57	50	60	50	
				(2) 15	11.3	51,100	38,500	46	40	57	50	60	50	
	(2) 20				21	18	27	23	30	25	30	25	30	25
					20	15	68,200	51,100	46	40	57	50	60	50
					42	36	53	46	60	50				
					42	36	53	46	60	50				
					25	18.75	85,250	63,900	46	40	57	50	60	50
60MAX	2,000	60,000	USM460AP	0	0	0	0	6.0						
				5	3.8	17,000	13,000	27	24	34	30	35	30	
				8	6	27,300	20,500	40	35	49	44	50	45	
				10	7.5	34,100	25,600	48	42	60	53	60	60	
				(2) 15	11.3	51,100	38,500	48	42	60	53	60	60	
	(2) 20				21	18	27	23	30	25	30	25	30	25
					20	15	68,200	51,100	48	42	60	53	60	60
					42	36	53	46	60	50				
					42	36	53	46	60	50				
					25	18.75	85,250	63,900	48	42	60	53	60	60
				21	18	27	23	30	25	30	25			

## NOTES:

- Nom. cooling at 45 degree suction temp. 80 DB/67 WB air on
- 15KW and 20KW models require 2 supply circuits. 25KW models require 3 supply circuits.
- Units suitable for installation with 0" clearance to combustible material.
- Coil manufacturer is U.S. A/C Products - A.R.I. listed with most condensing unit manufacturers.



8273 Moberly Lane  
Dallas, Texas 75221  
(214) 388-5751  
FAX (214) 388-2255