

HXHP Series

Horizontal Fan Coil

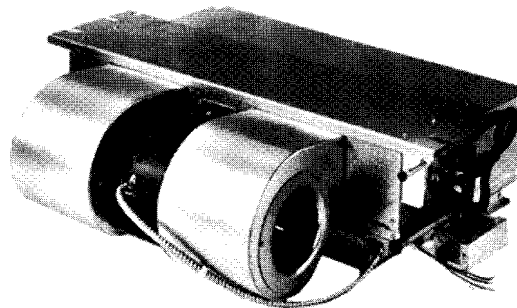
Heat pump or DX

1-1/2 through 2-1/2 Tons, 0 - 10KW



Description :

The **HXHP** series fan coil is designed to be installed in a firdown ceiling thus saving valuable floor space and eliminating an expensive "equipment" closet. The space-saving **HXHP** is only 10" high and is engineered to provide easy access for service and maintenance of the entire fan coil from below. All models are completely compatible with most major brands of outdoor heat pumps and straight cool condensing units. Each fan coil comes completely assembled and pre-wired and includes a 24V transformer, 120 or 240V motor, insulated and sloped drain pan, heating elements (except 0KW models), and high efficiency copper tube / aluminum fin coil.



FEATURES

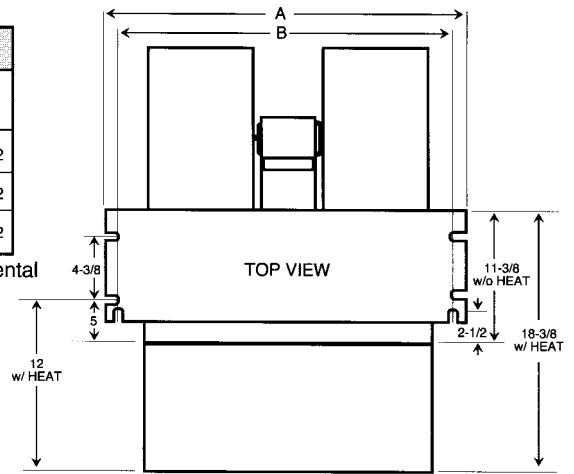
1. Completely **prewired** with 0-10KW electric heat (except 0KW models)
2. **Primary and secondary** condensate drains
3. **High efficiency** copper tube coil with piston type metering device
4. Only **10" high**
5. 0KW models available in either **120 or 240 volts**
6. **Galvanized steel** construction
7. Insulated and **sloped drain pan**
8. Attractive metal **access panels** available (contact factory)

HXHP Series

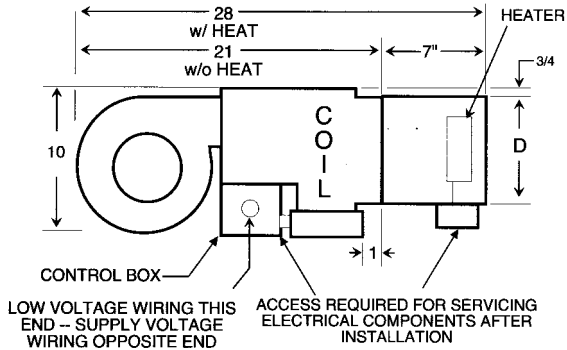
HORIZONTAL FAN COIL

PHYSICAL DIMENSIONS				
UNIT MODEL	A	B	C	D
18HXHP	37-1/4	34-11/16	30	6-1/2
24HXHP	43-1/4	40-11/16	36	6-1/2
30HXHP	43-1/4	40-11/16	36	6-1/2

NOTE: 7" dimension for supplemental heat models

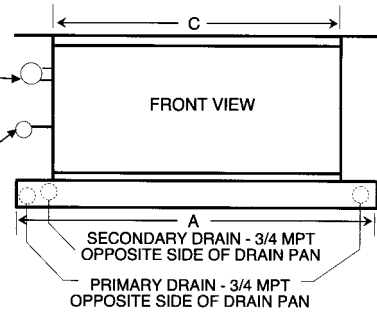


"In keeping with its policy of continuous progress and product improvement, First Co. reserves the right to make changes without notice."



SUCTION LINE
18HXHP-5/8 I.D. SWEAT
24HXHP-3/4 I.D. SWEAT
30HXHP-3/4 I.D. SWEAT

LIQUID LINE
3/8 SWEAT



BLOWER DATA

UNIT MODEL	FAN SPEED	DUTY	MOTOR HP (120V)	MOTOR HP (240V)	CFM vs EXTERNAL STATIC PRESSURE					
					.05	.10	.15	.20	.25	.30
18 HXHP	HIGH	COOL	1/8	1/8	730	710	685	650	605	540
24 HXHP	HIGH	COOL	1/6	1/4	970	940	910	880	845	810
30 HXHP	HIGH	COOL	1/4	1/3	1115	1095	1065	1035	1000	950



NOTE: Dry coil air, for wet coil CFM, deduct 0.05 from available static pressure shown.

PERFORMANCE DATA

UNIT MODEL	NOM. CFM	(1) NOM. COOL BTUH	ELECTRIC HEAT KW		TOTAL AMPS			MIN. CIR. AMPACITY			MAX. FUSE OR HACR BREAKER	
			240V	208V	240V	208V	120V	240V	208V	120V	240V	208V
18HXHP0-120 18HXHP0-(240)	600	18,000	---	---	---	---	2.0	---	---	---	---	---
3			0	0	2.5	2.5	---	---	---	30	30	
5			3	2.3	15.0	13.6	19	17	---	30	30	
8			5	3.8	23.5	20.8	30	26	---	30	30	
			8	6.0	35.8	31.3	45	39	---	45	40	
24HXHP0-120 24HXHP0-(240)	800	24,000	---	---	---	---	2.5	---	---	2.5	---	---
3			0	0	2.1	2.1	---	---	---	---	---	
5			3	2.3	15.0	13.2	18	17	---	20	20	
8			5	3.8	23.0	20.4	30	26	---	30	30	
10			8	6.0	35.4	30.9	45	39	---	45	40	
	10	7.5	43.8	38.0	60	48	---	60	50			
30HXHP0-120	1,000	30,000	---	---	---	---	3.5	---	---	---	---	---
3			3	2.3	15.0	13.6	18	17	---	20	20	
5			5	3.8	23.0	20.4	30	26	---	30	30	
8			8	6.0	35.4	30.9	45	39	---	45	40	
10			10	7.5	43.8	38.0	60	48	---	60	50	

(1) Nom. cooling at 45 degree evap. temp., std. ent. air conditions.