

HWF Series

Upflow, Downflow, Horizontal

Hot Water Air Handler

3 Sizes - Capacities to 105,200 BTUH Heating



Description :

The **HWF** series air handler can be installed in upflow and downflow applications as well as horizontally in attics and crawl spaces. Each air handler includes a hot water coil for heating, 120V blower motor, flue gas safety switch, throw away filter, and 24/120V relay/transformer.

These air handlers are compatible with all sources of hot water not exceeding 180°F. such as boilers and hot water heaters.

Water heater application - When connected to a standard gas or oil - fired water heater, this air handler converts it to a highly efficient, multi - purpose appliance that can heat an apartment, condominium, or home in addition to providing domestic hot water.

A U.L. listed "flow control module" is an optional accessory which consists of a circulating pump, pump relay, check valve, air purge valve, and a 6 foot plug-in line cord. The module is designed to circulate a precise amount of hot water between the hot water source and the air handler. Flow control modules are shipped separate for field installation. If the module is not needed, order the air handler "less module".

AQUA THERM[®] AIR HANDLER

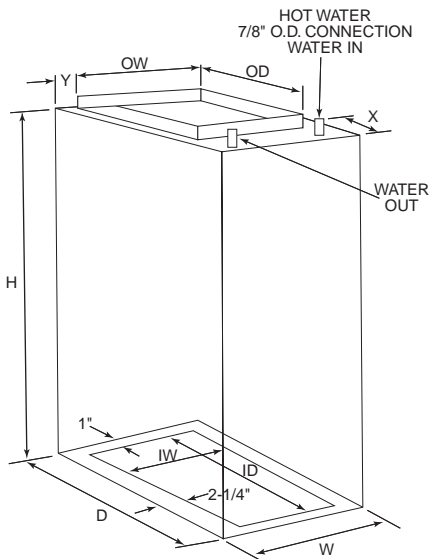


FEATURES:

1. **Copper tube** heating coil
2. Compatible with all properly sized **water heaters and boilers**
3. Flue gas **safety switch**
4. Manual **air vent** on hot water coil
5. Factory installed **filter**
6. Unless otherwise specified, all units are shipped with "**flow control module**" (Flow control module is Part No. 940-3 CV)
7. **Blower delay** on call for heat
8. Available in **3 sizes**
9. Can be installed **upflow, downflow, or horizontal** either side

HWF Series

HOT WATER HEATING



PHYSICAL DIMENSIONS										
UNIT MODEL	H	W	D	OW	OD	IW	ID	X	Y	FILTER
HWF32-3	24-3/4	17-5/8	20-1/4	12	16	13-1/8	18-1/8	3-1/2	2-1/2	16 X 20
HWF52-4	25-1/4	21-5/8	22-1/4	18	16	17-1/8	20-1/8	5-1/4	1-1/2	20 X 22
HWF60-4	28-3/4	21-5/8	28-1/4	18	24	17-1/8	26-1/8	3-1/4	1-5/8	14 X 20 (2 req.)

BLOWER DATA								
UNIT MODEL	FAN SPEED	MOTOR AMPS (120V)	MOTOR HP (120V)	CFM vs. EXTERNAL STATIC PRESSURE				
				0.1	0.2	0.3	0.4	0.5
HWF32-3	HIGH	6.5	1/3	990	940	880	830	770
	LOW			920	870	820	770	710
HWF52-4	HIGH	6.5	1/3	1350	1300	1230	1170	1090
	LOW			1170	1130	1090	1040	1000
HWF60-4	HIGH	6.5	1/2	1780	1710	1640	1580	1510
	LOW			1080	1070	1050	1040	1020

"In keeping with its policy of continuous progress and product improvement, First Co. reserves the right to make changes without notice."

PERFORMANCE DATA						
UNIT MODEL	MAX. TONS COOLING CAPACITY (For Field Added Cooling Coil)	GPM	P.D. (FT. WATER)	HEATING BTUH (1000) AT ENTERING WATER TEMP.		
				120°F	140°F	180°F
HWF32-3	2.0	3	5.0	22.9	32.0 (2)	50.3
		2	2.5	21.4	30.0	47.1
		1	0.8	16.8	23.5	36.9
HWF52-4	2.5	5	3.8	40.0	55.8	87.7
		3	1.6	34.9	48.9 (2)	76.8
		2	0.25	20.7	29.0	45.6
HWF60-4	3.5	6	2.85	47.9	67.0	105.2
		4	1.45	43.2	60.5 (2)	95.0
		2	0.40	34.6	48.5	76.2

NOTES:

1. Motors are 120V, 2-speed and wired for high speed operation.
2. Use these capacities when First Co. "flow control module" is used.
3. Heating BTUH output will not exceed output of water heater.
4. 120°F and 180°F data is supplied for boiler applications.
5. Heat BTUH is at 70°F entering air temperature.

