

NEW MODEL!

HBC-HW-E Series

Horizontal Fan Coil - Cased

DX Cooling / Hot Water Heating

1 Ton through 3 Tons, up to 51,700 BTUH Heating



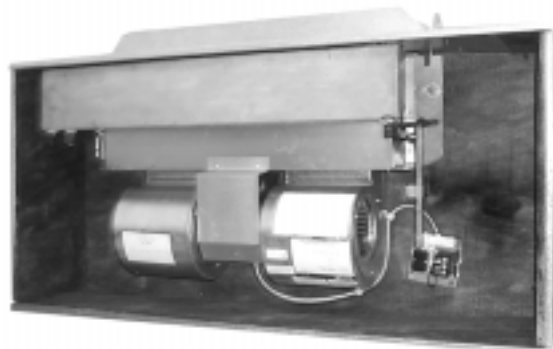
Description :

The **HBC-HW-E** series fan coil is fully cased, 11" high and designed recessed in a firdown hallway, bathroom or the ceiling. The space-saving **HBC-HW-E** is engineered to provide easy access for service and maintenance of the entire fan coil from below. All models are completely compatible with all major brands of straight cool condensing units. Each fan coil includes a fully insulated cabinet, cooling coil, a separate hot water coil, 120V blower motor, a 24/120V relay/transformer, and an attractive access/return air panel. These fan coils are compatible with all sources of hot water not exceeding 180°F such as boilers and water heaters.

WATER HEATER APPLICATION: This fan coil is typically used for "boiler loop application" however, a U.L. listed "flow control module" is an optional accessory which is available and consists of a circulating pump, pump relay, check valve, air purge valve, and a 6 foot plug-in cord. The module is designed to circulate a precise amount of hot water between the water heater and the fan coil. Flow control modules are shipped separate for field installation. If the module is not needed, order the fan coil "less module".



solid panel



FEATURES:

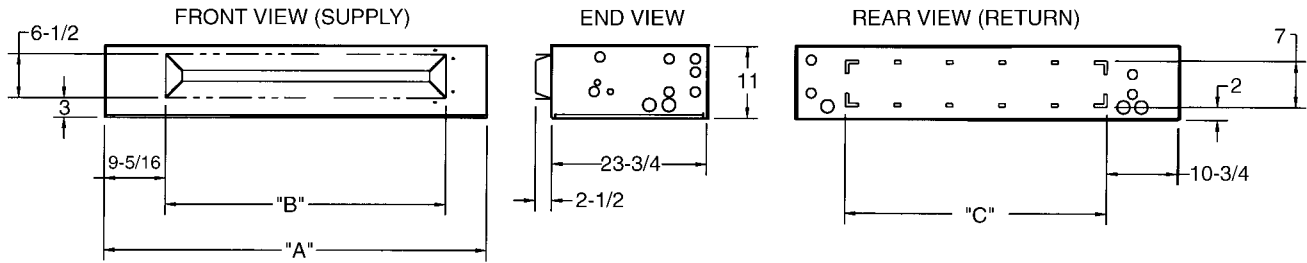
1. Only **10" high**
2. **Copper tube** heating and cooling coils
3. Compatible with all properly sized **water heaters and boilers**
4. Compatible with all major brands of **split condensing units**
5. **Piston type metering device** on cooling coil
6. **3/4" primary and secondary** drain connections
7. **Optional "Flow Control Module"** - (Not needed with boiler loop)
8. Attractive metal **access panel** is shipped with each unit.
9. **Coil connections are sweat type** and expanded for easy connection
10. **Insulated, sloped and coated drain pan**
11. Louverd access panel accepts **20x20x1 filter**

HBC-HW-E Series

1 through 3 tons



Approved for installation with 0" clearance to combustible materials



PERFORMANCE DATA							
UNIT MODEL	NOMINAL COOLING BTUH	HEATING GPM	PRESS. DROP (FT. WATER)	BTUH (1000) ⁽¹⁾ AT ENTERING WATER TEMP.			
				120°F	130°F	140°F	180°F
12HBC-HW-E	12,000	3	3.3	10.5	12.5	14.6	22.8
18HBC-HW-E	18,000	3	3.3	13.3	15.8	18.4	28.8
24HBC-HW-E	24,000	3	4.1	16.6	19.7	23.0	36.0
30HBC-HW-E	30,000	3	4.3	19.6	23.4	27.9	42.6
36HBC-HW-E	36,000	3	5.4	22.7	27.1	31.6	49.3

NOTES:

- Heat BTUH is at 70°F entering air temperature.
- 120°F and 180°F data is supplied for boiler applications.
- Heating BTUH output will not exceed output of water heater.
- Approved for installation with 0" clearance to combustible material.

NOTE:

Circulating pump must be field wired to the 4 x 4 junction box.

PHYSICAL DIMENSIONS			
MODEL	A	B	C
12,18HBC-HW-E	49-1/2	30-7/8	28
24HBC-HW-E	55-1/2	36-7/8	34
30HBC-HW-E	61-1/2	42-7/8	40
36HBC-HW-E	69-1/2	49-7/8	47

BLOWER DATA							
UNIT MODEL	MOTOR		MOTOR HP (120 V)	CFM vs. EXTERNAL STATIC PRESSURE (2)			
	RPM	AMPS		0.05	0.10	0.15	0.20
12HBC-HW-E	1050	1.1	1/12	430	360	290	---
18HBC-HW-E	1550	1.9	1/8	690	655	635	600
24HBC-HW-E	1550	3.0	1/5	840	825	810	785
30HBC-HW-E	1550	3.6	1/4	1025	1000	970	930
36HBC-HW-E	1550	4.6	1/5	1300	1250	1200	1135

Model 36HBC-HW-E has four blowers and two motors.

- Motors are 120V and operate on high speed for both heating and cooling.
- CFM vs. static at high motor speed.

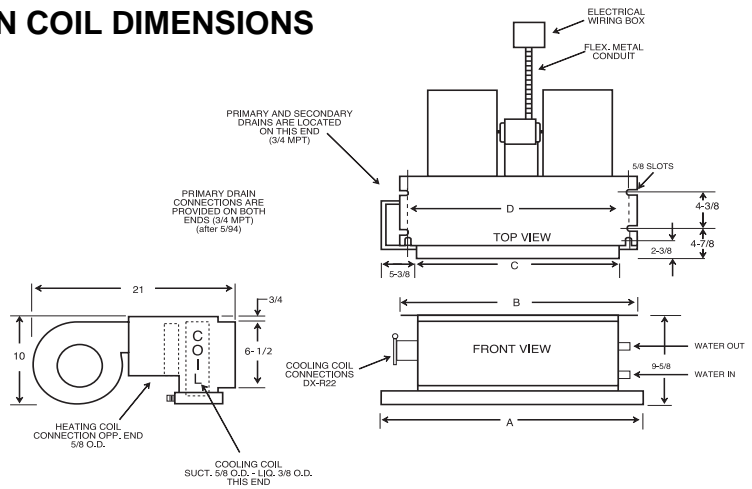
ENCLOSURE / PANEL INFORMATION			
For Fan Coil #	Enclosure Part #	Description	Access Panel Part #
12, 18HBC-HW-E	9E01	LOUVERED	9PE001-L
		SOLID	9PE001-S
24HBC-HW-E	9E02	LOUVERED	9PE002-L
		SOLID	9PE002-S
30HBC-HW-E	9E03	LOUVERED	9PE003-L
		SOLID	9PE003-S
36HBC-HW-E	9E04	LOUVERED	9PE004-L
		SOLID	9PE004-S

CEILING PANEL DIMENSIONS				
PART #	FRAME (OPENING)		FRAME (OUTSIDE)	
	W	L	W	L
9PE001L(S)	23-3/4	49-3/8	27	52-3/8
9PE002L(S)	23-3/4	55-3/4	27	58-3/4
9PE003L(S)	23-3/4	61-3/4	27	64-3/4
9PE004L(S)	23-3/4	69-1/2	27	72-1/2

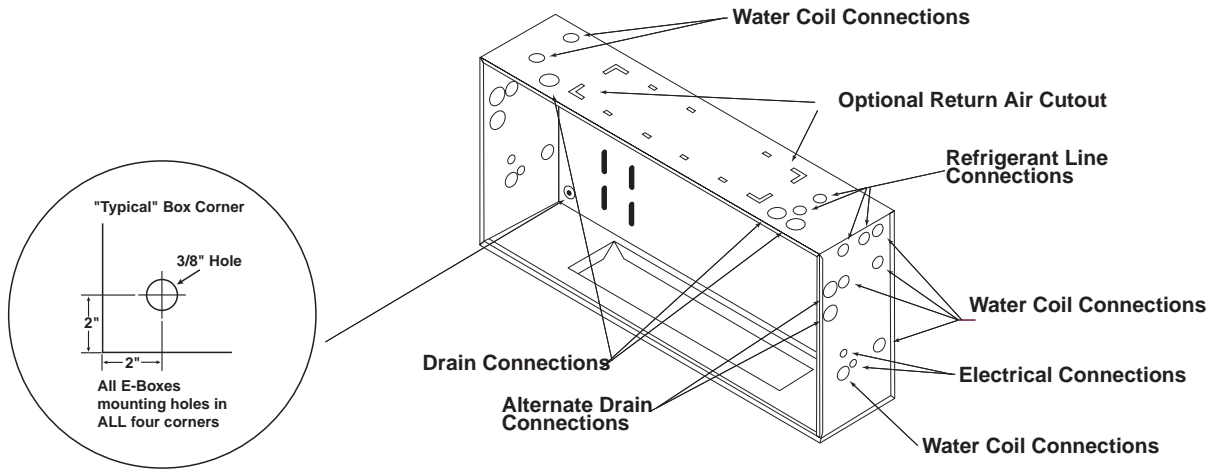
"In keeping with its policy of continuous progress and product improvement, First Co. reserves the right to make changes without notice."

FAN COIL DIMENSIONS

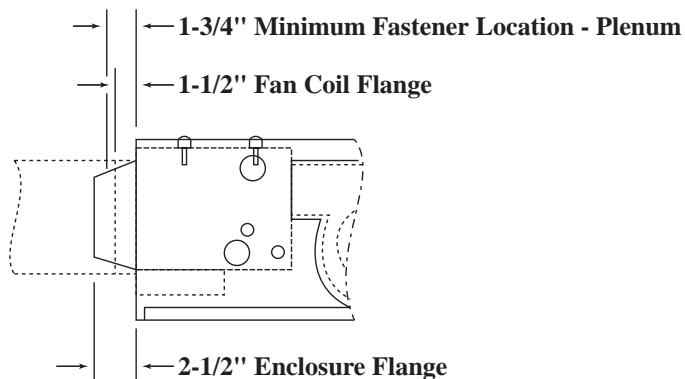
PHYSICAL DIMENSIONS				
UNIT MODEL	A	B	C	D
12HBC-HW	34-1/8	33-1/4	26-1/8	30-3/4
18HBC-HW	38-1/8	37-1/4	30-1/8	34-3/4
24HBC-HW	44-1/8	43-1/4	36-1/8	40-3/4
30HBC-HW	50-1/8	49-1/4	42-1/8	46-3/4
36HBC-HW	57-1/8	56-1/4	49-1/8	53-3/4



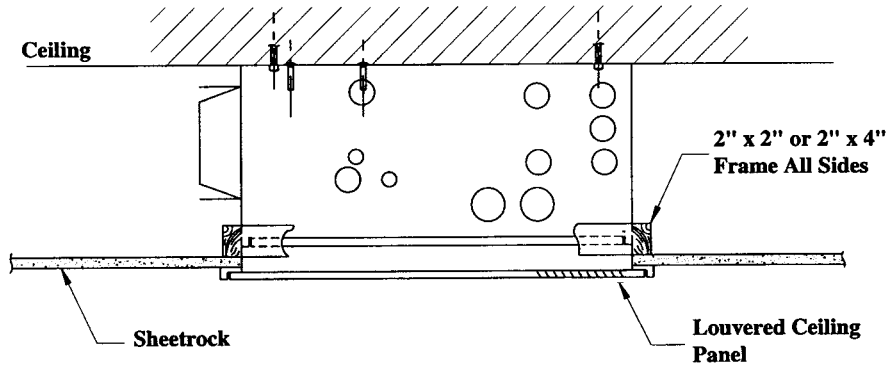
CONNECTION LOCATIONS



PLENUM AND UNIT FLANGE LOCATIONS

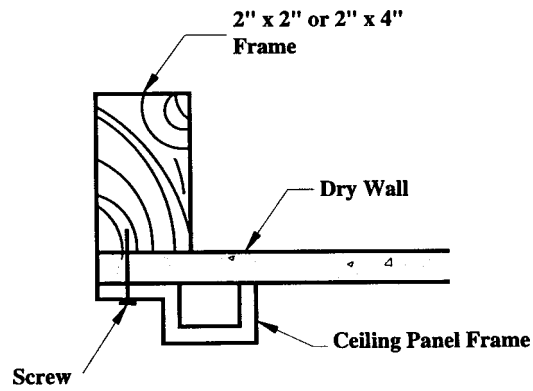


INSTALLATION SUPPORT FRAMING



NOTE:
Unit must be located such that the 2" x 2" or 2" x 4" frame creates an air tight seal around unit.

CEILING PANEL FRAME INSTALLATION



WIRING DIAGRAM

