



## DPU Series

### Vertical PTAC

Electric Cooling and Heating

3/4 and 1 ton models, up to 5kW

---

# ***Mr. Whisper***<sup>™</sup> - *the Vertical PTAC!*

---

**Heat & Cool Suites  
with one unit!**



**Super Quiet**



**Better Air Distribution**



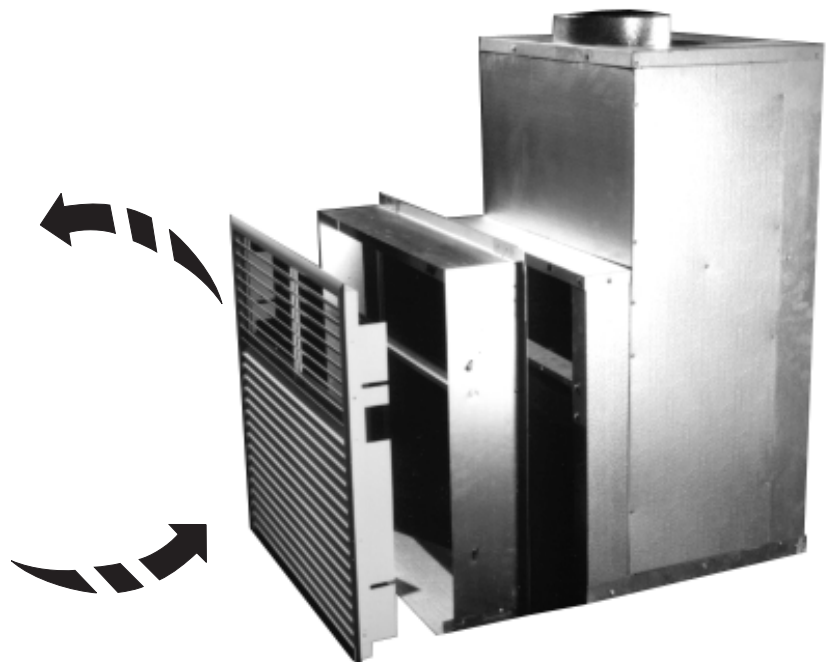
**Removable**



---

*Mr. Whisper*<sup>™</sup> is a self-contained, through the wall, vertical packaged unit designed to be installed in a closet having an exterior wall. Compared to a horizontal PTAC, *Mr. Whisper*<sup>™</sup> offers superior comfort, quieter operation, and multi-room conditioning....*without* sacrificing the advantages of a PTAC! Each *Mr. Whisper*<sup>™</sup> includes a compressor, condensing section with low ambient control, evaporator section, air handling section, electric heater, and all necessary wiring. It is completely removable for service and even comes with a 24V wall thermostat!

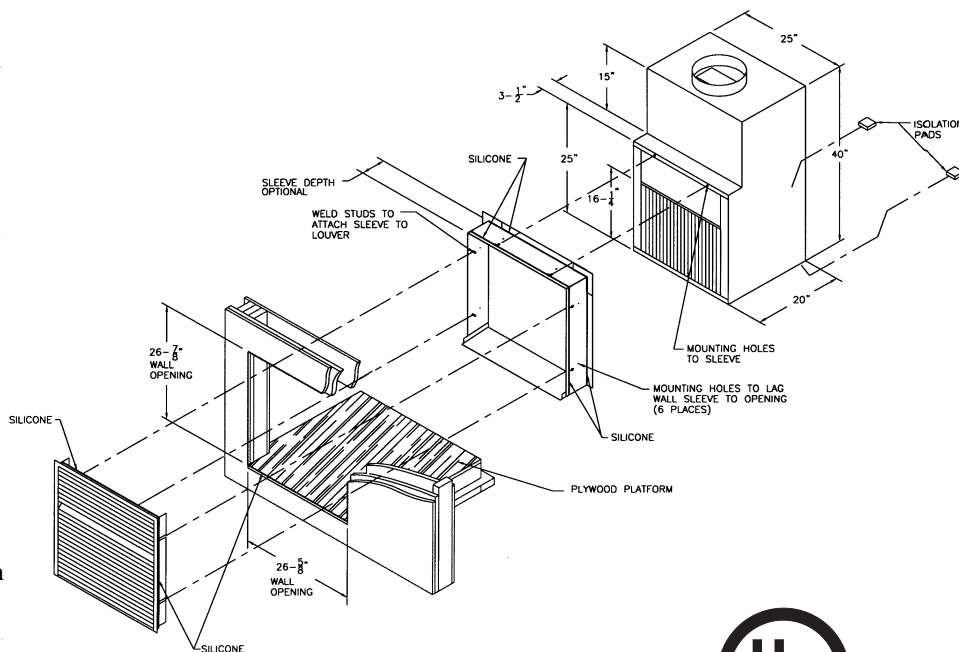
- **Comfortable** - Air is distributed near the ceiling, not directly on occupants.
- **Flexible/Economical** - Multi-room suites can be conditioned with one unit.
- **Quiet** - Compressor and fan noise are virtually eliminated.
- **Easy to install** - Almost as easy as a horizontal PTAC!
- **Compact** - It requires less than approx. 5 Sq. Ft. of closet space (internal dimensions).



(shown with wall sleeve and architectural grille)

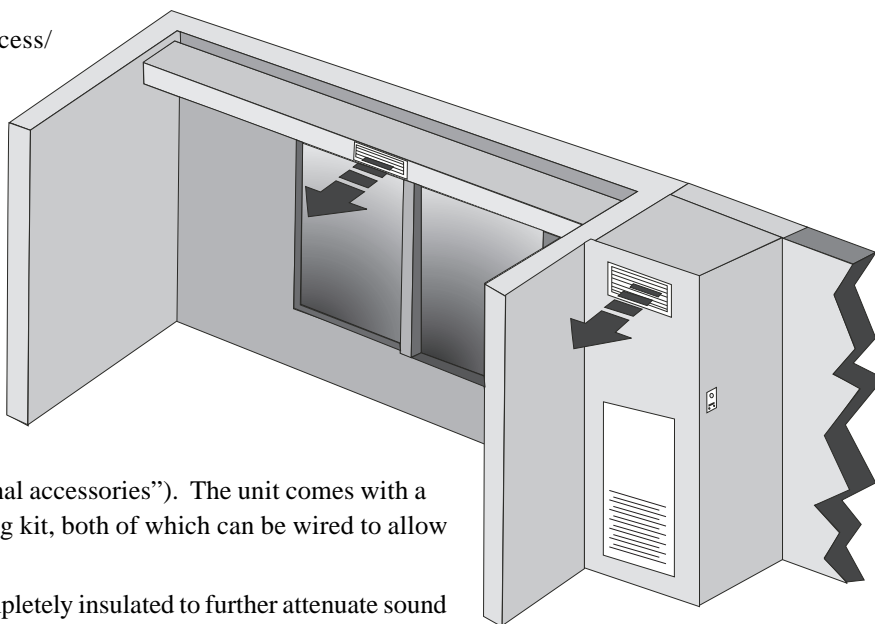
# Standard Features:

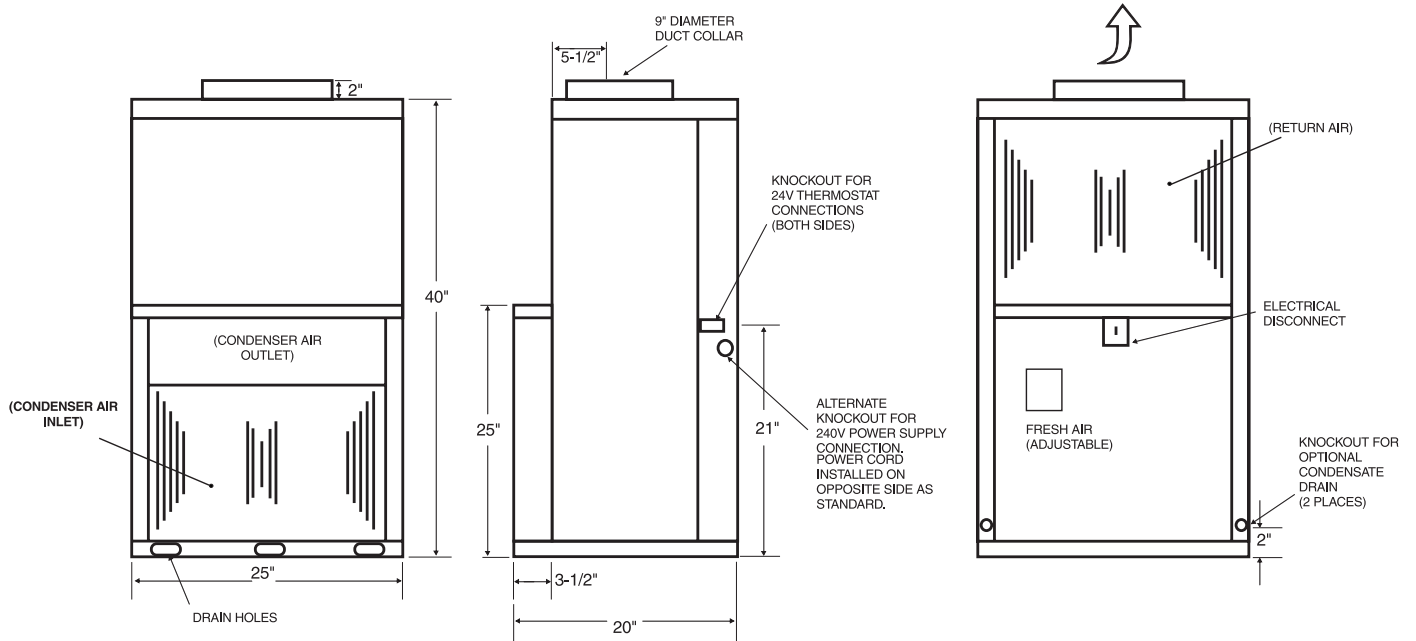
1. **High efficiency** - up to 10.4 EER
2. **Insulated cabinet**
3. **Low ambient control**
4. **Electrical disconnect switch**
5. **All necessary wiring** included
6. **Wall thermostat** shipped with unit
7. **Removable service panels** on all three sides
8. **2" supply duct collar** - simplifies duct connection and removal
9. **Insulated and coated condensate pan**
10. Refrigerant pressure **test ports**
11. **Wall sleeve with disposable "weather guard"**
12. **Adjustable fresh air opening with screen**
13. **Architectural Grille** with optional custom painting



# Design Features:

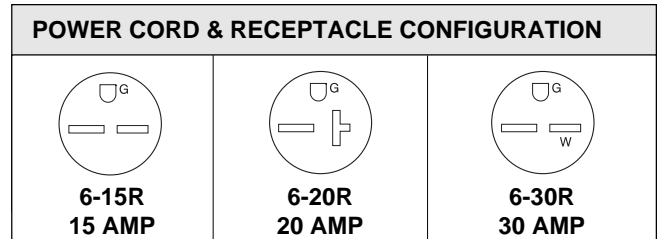
- **Cooling Efficiency** - Up to 10.4 EER! High efficiency components and superior engineering design result in higher cooling efficiencies. *Mr. Whisper*<sup>™</sup> pulls in condenser air through the bottom and discharges it out the top ... reducing the possibility of recirculating hot air through the condenser coil.
- **Wall Sleeve** (Required) - The wall sleeve ships separately and installs in the rough-in stage. It is designed to allow the entire *Mr. Whisper*<sup>™</sup> cabinet to slide out for easy service or complete replacement. Custom thicknesses are available to allow for different wall construction (consult factory).
- **Architectural Grille** (Required) - An attractive anodized aluminum louvered grille is standard. Grilles can be factory painted to match any exterior décor.
- **Installation** - Once the sleeve and access/return air panel are installed, *Mr. Whisper*<sup>™</sup> slides through the access/return panel and into the wall sleeve. Two bolts attach *Mr. Whisper*<sup>™</sup> securely to the sleeve. Depending on the floor plan, access to the unit can be from either left or right side wall or the rear wall. A two-inch supply duct collar on the cabinet simplifies connection of ductwork to the unit. Ductwork, register adapter, and register(s) can either be field-supplied or purchased with *Mr. Whisper*<sup>™</sup> as an optional kit (see "optional accessories"). The unit comes with a 240V plug-in cord and low voltage wiring kit, both of which can be wired to allow connection to either side of the unit.
- **Cabinet** - *Mr. Whisper*<sup>™</sup>'s cabinet is completely insulated to further attenuate sound and reduce air infiltration. Each *Mr. Whisper*<sup>™</sup> is completely pre-piped and ready to install. Once installed, the cabinet can either be removed from the wall sleeve and closet for service or serviced in place by removing any or all three side panels. The cabinet base pan is sloped to the outside to facilitate rain water drainage. A heat/cool wall thermostat is shipped standard within each cabinet.





ELECTRICAL DATA 204/240V - 1PH - 60Hz																	
UNIT MODEL	ELECTRIC HEAT DATA							BLOWER DATA		CONDENSER DATA				MINIMUM CIRCUIT AMPACITY	MAXIMUM FUSE OR HACR BREAKER	RECEPT. REQUIRED (SEE TABLE BELOW)	SHIP WT.
	KW		BTUH		TOTAL HEATING AMPS		EVAPORATOR MOTOR	COMPRESSOR	CONDENSER MOTOR								
	240V	208V	240V	208V	240V	208V			AMPS	HP	RLA	LRA	FLA				
9DPU	-0	0	0	0	0	---	---	0.71	1/8	4.5	21	0.36	1/12	7	15	6-15R	135
	-2	2	1.5	6800	5100	9.3	7.2							12	15	6-15R	
	-3	3	2.3	10200	7700	13.4	10.3							17	20	6-20R	
	-4	4	3	13600	10200	17.6	13.4							22	25	6-30R	
12DPU	-0	0	0	0	0	---	---	0.71	1/8	6.0	33	0.51	1/12	9	15	6-15R	145
	-2	2	1.5	6800	5100	9.3	7.2							12	15	6-15R	
	-3	3	2.3	10200	7700	13.4	10.3							17	20	6-20R	
	-4	4	3	13600	10200	17.6	13.4							22	25	6-30R	
	-5	5	3.8	17000	12800	22.0	16.6							28	30	6-30R	

BLOWER DATA									
UNIT MODEL	MOTOR SPEED CONN.(1)	CFM vs. EXTERNAL STATIC PRESSURE							
		0.05	0.10	0.15	0.20	0.25	0.30	0.35	
9DPU	MED	375	360	350	340	330	315	300	
	LOW	290	280	270	260	260	230	215	
12DPU	HIGH	490	475	460	450	435	420	400	
	MED	375	360	350	340	330	315	300	



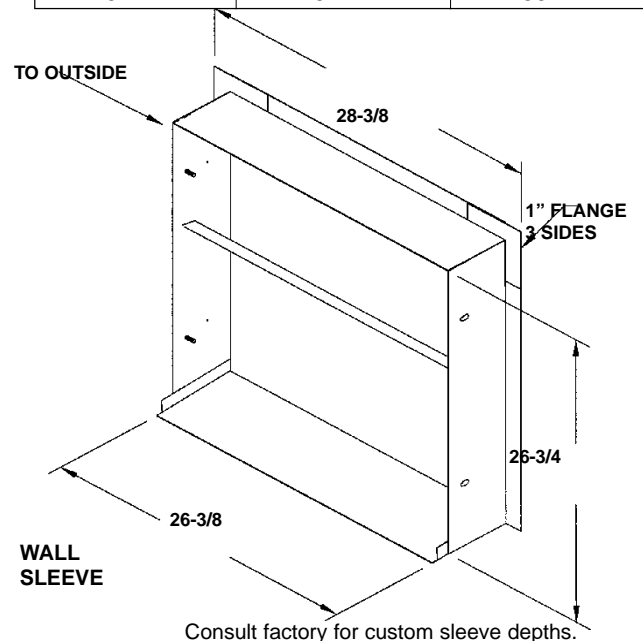
(1) All blower motors are factory wired on lower speed. Field convert to higher speed if necessary.

COOLING/ PERFORMANCE DATA						
UNIT MODEL	STANDARD RATING (1)			LOW TEMPERATURE RATING (2)		
	BTUH	WATTS	EER	BTUH	WATTS	EER
9DPU	8200	915	8.9	8900	825	10.9
12DPU	11600	1390	8.4	12700	1250	10.2

(1) Tested in accordance with Standard 310/380-93 at 95°F DB/75°F WB outdoors and 80°F DB/67°F WB indoors.

(2) Tested at 82°F DB/65°F WB outdoors and 80°F DB/67°F WB indoors.

"In keeping with its policy of continuous progress and product improvement, First Ltd. reserves the right to make changes without notice."



# Components:

- Factory installed **disconnect switch**.
- **Rotary compressor**.
- Refrigerant **accumulator**.
- **Copper tube/aluminum fin** evaporator and condenser coils.
- Longer lasting **metal condenser fan blade**.
- **Low ambient control** - Cycles condenser fan to assure proper operation even in cooler ambient temperatures.
- **Coated and insulated** evaporator drain pan - Coated to resist corrosion and insulated with closed cell foam to reduce sweating.
- **Electric heater (except 0kW)** - Unique design allows the heater element to mount within the blower assembly for higher efficiency and greater safety.



Wall Sleeve with disposable "weather guard"

## Optional Accessories:

- **Duct Kit** (Part No. 933-1) - Each duct kit includes enough hardware to install three (3) *Mr. Whispers*™ in single room installations (3 rooms). Each kit contains 25 feet of 9" round flex duct, three 14 x 8 registers, and three register adapters.
- **Access/Return Air Panels** (Part No's. 931-1, 931-2) - Two panels are offered to allow the flexibility of being able to install and remove the *Mr. Whisper*™ through the panel opening from either a *side* closet wall or from the *rear*. Panels are coated with an attractive baked-on white finish, are insulated to reduce noise, include tamper-proof screws, and install flush on the wall. A convenient filter rack and throwaway filter are included with each panel. A standard door may also be used in lieu of these panels.
- **Painted Architectural Grille** - In lieu of the standard non-painted anodized aluminum grille, grilles can be special-ordered to match any exterior décor.



(Access/Return Air Panel)

ACCESSORIES (SLEEVE AND ARCHITECTURAL GRILLE ARE REQUIRED)					
COMPONENT	DESCRIPTION	DIMENSIONS		PART NO.	SHIP WT.
		FRAME (H X W)	OPENING (H X W)		
ACCESS/RETURN AIR PANEL (1) (Includes Filter)	FOR SIDE WALL INSTALLATION (OFF-WHITE)	52-3/4 X 24-3/4	49-5/8 X 21-5/8	931-1	20
ACCESS/RETURN AIR PANEL (1) (Includes Filter)	FOR REAR WALL INSTALLATION (OFF-WHITE)	52-3/4 X 31	49-5/8 X 27-7/8	931-2	23
DUCT KIT (SINGLE ROOM ONLY)	INCLUDES: 25' OF 9" DUCT 3 - 14" X 8" REGISTERS 3 - REGISTER ADAPTERS	---		933-1	25
SLEEVE	INSTALLATION SLEEVE	(SEE PAGE 3)		932 - (2)	20
ARCHITECTURAL GRILLES (exterior)	NON-PAINTED (ANODIZED ALUMINUM)	27-1/4 X 27-3/4		G202A	7
	PAINTED (TO MATCH CUSTOM COLOR)			G202 (3)	

- (1) Filter size = 14" x 20" x 1"  
 (2) Number after "932" will identify custom sleeve depths (number assigned by factory)  
 (3) Number after "G202" will identify custom color (number assigned by factory)

