

NEW MODEL !!!

CDXQ-E Series

Horizontal Cased Fan Coil
DX Cooling / Hot Water Heating
1 Ton through 3 Tons, up to 49,300 BTUH Heating



Description :

The **CDXQ-E** series fan coil is designed to be installed in a furred down ceiling thus saving valuable floor space and eliminating an expensive HVAC closet. The **CDXQ-E** is only 11" high! All models are completely compatible with most major brands of straight cool condensing units. Each fan coil includes a DX cooling coil, a separate hot water coil, circulating pump with built in check valve, air purge valve, 120V blower motor, electrical disconnect, HW coil freeze sensor, 24V transformer, fully insulated enclosure, and painted ceiling panel. These fan coils are compatible with all sources of hot water not exceeding 180° F, such as boilers and hot water heaters. For proper water heater sizing, see bulletin "ATC- BW" or contact the factory. Contact the factory for compatible condensing units.

NEW FEATURES:

- Single point power connection
- Hot water coil freeze sensor
- Electrical disconnect
- Enclosure with ceiling panel



CDXQ



Enclosure for CDXQ (see back page)



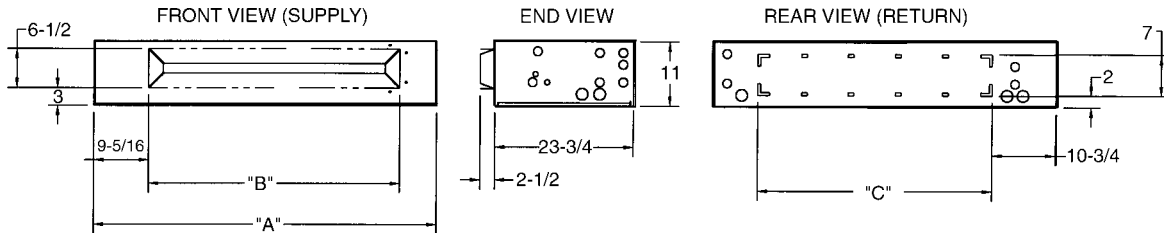
Ceiling panel (solid shown)

FEATURES:

- Only 11" high
- Factory installed **circulating pump with check valve, large air purge valve, disconnect switch, and HW coil freeze sensor.**
- Compatible with most major brands of **split condensing units.**
- **Piston type metering device** on cooling coil.
- **Two-Speed Fan** Operation (High Speed-Cooling, Low Speed-Heating)
- **Enclosure with ceiling panels** (see back page)
Enclosure is a fully insulated cabinet. Knockouts are provided for ducted return (ducted return option requires solid ceiling panel).

CDXQ-E Series

HORIZONTAL FAN COIL DX COOLING HOT WATER HEATING



ELECTRICAL DATA					
UNIT MODEL	MOTOR HP	AMPS		MIN CIR. AMPACITY	MAX CIR. PROTECTION
		MOTOR	PUMP		
12CDXQ-E	1/12	1.1	0.57	3	15
18CDXQ-E	1/8	1.9	0.57	4	15
24CDXQ-E	1/5	3.0	0.57	5	15
30CDXQ-E	1/4	3.6	0.57	6	15
36CDXQ-E	1/5	4.6	0.57	7	15

PHYSICAL DIMENSIONS			
UNIT MODEL	A	B	C
12CDXQ-E	55-1/2	36-7/8	34
18CDXQ-E	55-1/2	36-7/8	34
24CDXQ-E	61-1/2	42-7/8	40
30CDXQ-E	69-1/2	49-7/8	47
36CDXQ-E	69-1/2	49-7/8	47

NOTES:

- Heat BTUH is at 70 degree EAT.
- 120 degree and 180 degree data is supplied for boiler applications.
- Heating BTUH output will not exceed output of water heater.
- Approved for installation with 0" clearance to combustible material.

"In keeping with its policy of continuous progress and product improvement, First Co. reserves the right to make changes without notice."

PERFORMANCE DATA							
UNIT MODEL	NOMINAL COOLING BTUH	HEATING GPM	PRESS. DROP (FT. WATER)	BTUH (1000)(1) AT ENTERING WATER TEMP.			
				120°F	130°F	140°F	180°F
12CDXQ-E	12,000	3	3.3	10.5	12.5	14.6	22.8
18CDXQ-E	18,000	3	3.3	13.3	15.8	18.4	28.8
24CDXQ-E	24,000	3	4.1	16.6	19.7	23.0	36.0
30CDXQ-E	30,000	3	4.3	19.6	23.4	27.3	42.6
36CDXQ-E	36,000	3	5.4	22.7	27.1	31.6	49.3

BLOWER DATA					
UNIT MODEL	CFM vs. EXTERNAL STATIC PRESSURE (2)				
	0.05	0.10	0.15	0.20	0.25
12CDXQ-E	490	430	360	290	---
18CDXQ-E	720	690	655	635	600
24CDXQ-E	860	840	825	810	785
30CDXQ-E	1050	1025	1000	970	930
36CDXQ-E	1340	1300	1250	1200	1135

CEILING PANELS (ONLY FOR ENCLOSURES)			
For Enclosure Box #	Description	Access Panel Part #	Frame Dim. (L X W)
9E02	LOUVERED	9PE002-L	24 X 55-3/4
	SOLID	9PE002-S	
9E03	LOUVERED	9PE003-L	24 X 61-3/4
	SOLID	9PE003-S	
9E04	LOUVERED	9PE004-L	24 X 69-3/4
	SOLID	9PE004-S	

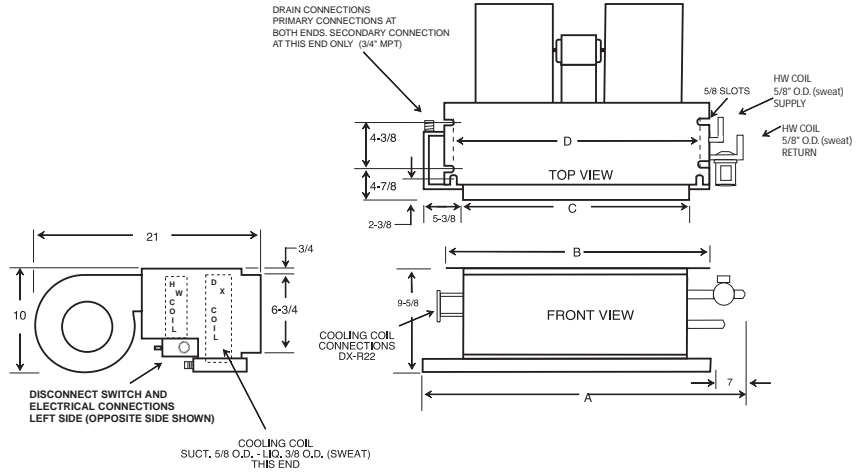
Model 36CDXQ-E has four blowers and two motors.

- Motors are 120V and operate on high speed for cool and low speed for heating.
- CFM vs. static at high motor speed.

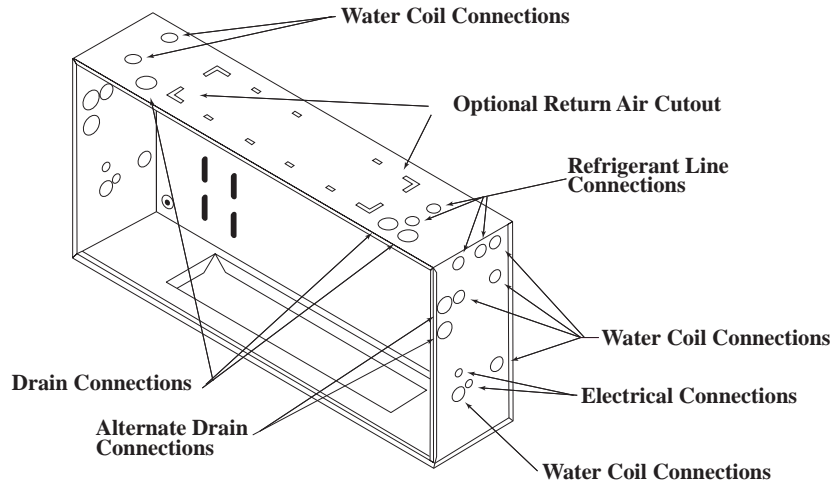


FAN COIL DIMENSIONS

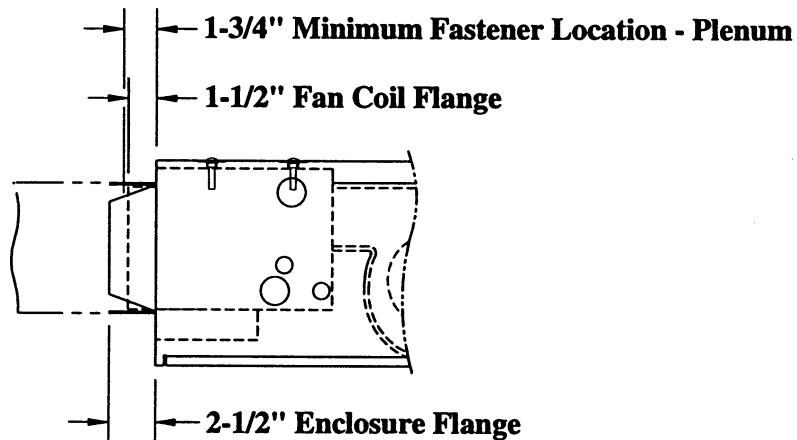
FAN COIL DIMENSIONS				
UNIT MODEL	A	B	C	D
12CDXQ-E	41-1/8	33-1/4	26-1/8	30-3/4
18CDXQ-E	45-1/8	37-1/4	30-1/8	34-3/4
24CDXQ-E	51-1/8	43-1/4	36-1/8	40-3/4
30CDXQ-E	57-1/8	49-1/4	42-1/8	46-3/4
36CDXQ-E	64-1/8	56-1/4	49-1/8	53-3/4



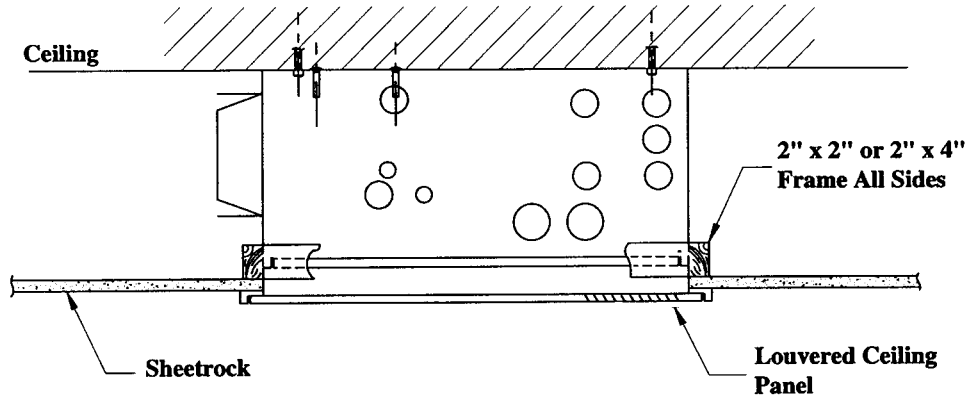
CONNECTION LOCATIONS



PLENUM AND UNIT FLANGE LOCATIONS



INSTALLATION SUPPORT FRAMING



NOTE:

Unit must be located such that the 2" x 2" or 2" x 4" frame creates an air tight seal around unit.

CEILING PANEL FRAME INSTALLATION

