

CCW Series

Vertical Fan Coil
Hydronic
2-Pipe and 4-Pipe
600 - 1200 CFM



The "Stacker" Alternative

Description :

The **CCW** series hydronic fan coil is compact enough to easily install in small equipment closets. Its attractive price also makes the **CCW** series a very competitive alternative to the much more expensive high rise or vertical "stack" type fan coils. The **CCW** installs within a closet or recesses in a wall. An optional off-white wall panel is available for recessed wall installations.

The base unit includes a completely insulated galvanized steel cabinet, a multi-speed 120V blower motor, chilled water coil with manual air vent for 2-pipe applications, coated and insulated drain pan with both primary and secondary drain connections, and front mounted throwaway filter.

An optional 3-way valve package is factory installed **inside the cabinet**, thus eliminating expensive field installation, valve package insulation, and shipping damage. Other options include a hot water coil with 3-way valve package that can be field installed for 4-pipe applications, painted wall panel, and a hanger bracket for closet wall mounting.



(Unit shown with optional wall panel)

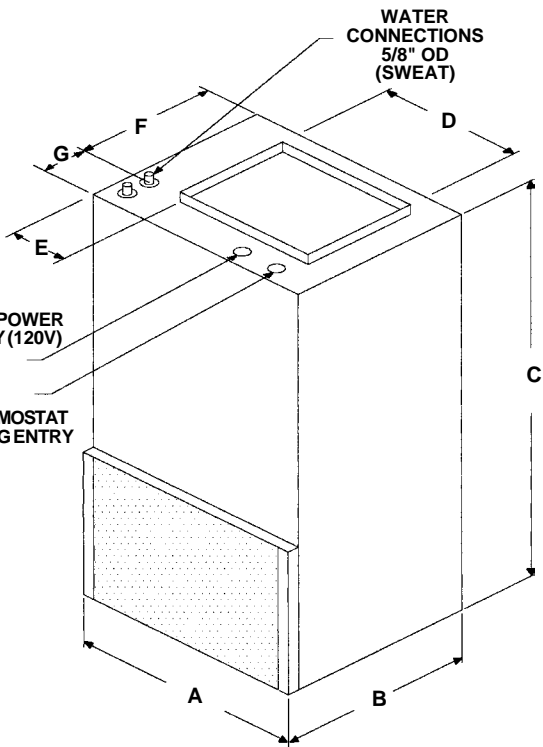
FEATURES:

1. Optional factory installed **valve package**.
2. Optional **hot water coil with valve package**.
3. Factory installed **flange** for mounting on a closet wall (eliminates the platform).
4. Fully **insulated galvanized steel cabinet**.
5. High efficiency copper tube/aluminum fin chilled water coil with **manual air vent**.
6. **Insulated drain pan** for superior corrosion protection.
7. Front mounted **throwaway filter**.
8. 3/4" MPT **primary and secondary drain connections** stub out bottom of drain pan.
9. Coil connections stub out through the top of the unit.

CCW Series

VERTICAL FAN COIL

HYDRONIC



SEE NOTES 3 AND 4 FOR DRAIN INSTALLATION

PHYSICAL DIMENSIONS										
UNIT MODEL	A	B	C	D	E	F	G	FILTER SIZE	WATER SUPPLY	WATER RETURN
6, 8CCW	20-1/8	17-1/8	39-1/4	12-1/2	5-3/8	10-3/8	3-3/4	16 X 20 X 1	5/8" O.D.	5/8" O.D.
10, 12CCW	24-1/8	22-1/8	44-1/4	12-1/2	6-5/8	12	4-1/8	20 X 24 X 1	5/8" O.D.	5/8" O.D.

Coil connections are sweat type.

BLOWER DATA												
UNIT MODEL	MTR. HP (120V)	TOTAL AMPS (120V)	MOTOR SPEED	CFM vs. EXTERNAL STATIC PRESSURE								
				0.05	0.10	0.15	0.20	0.25	0.30	0.35	0.40	0.50
6CCW	1/5	2.6	HI	780	760	735	710	680	650	625	600	---
			MEDIUM	665	650	630	610	590	565	540	515	
			LOW	515	500	490	470	450	420	400	370	
			LOW	350	330	310	290	265	240	215	190	
8CCW	1/5	2.6	HI	855	840	830	810	795	770	750	730	---
			MEDIUM	660	650	635	620	605	590	570	545	
			LOW	490	475	460	440	420	400	380	360	
			LOW	330	300	270	245	220	195	170	140	
10CCW	1/3	5.8	HI	1330	1310	1290	1265	1240	1220	1190	1165	1110
			MEDIUM	1120	1110	1095	1080	1060	1040	1015	995	950
			LOW	930	915	900	890	870	855	835	815	780
			LOW	735	720	705	690	670	650	635	615	570
12CCW	1/3	5.8	HI	1330	1310	1290	1265	1240	1220	1190	1165	1110
			MEDIUM	1120	1110	1095	1080	1060	1040	1015	995	950
			LOW	930	915	900	890	870	855	835	815	780
			LOW	735	720	705	690	670	650	635	615	570

NOTES :

1. Removable throwaway filter standard with all models.
2. Approved for installation with 0" clearance to combustible material.
3. Condensate drains: Primary - 3/4, Secondary - 3/4 exit out bottom of drain pan, simplifying installation.
4. Removable bottom panel offers simple, easy access to condensate drain.
5. CFM does not include optional hot water coil. Add 0.25 static pressure to above chart when hot water coil is added.

CHILLED WATER PERFORMANCE DATA					
UNIT MODEL	GPM	P.D.	45°F ENTERING WATER TEMPERATURE 80°F DB/67°F WB		
			TOTAL MBH	SENS. MBH	TEMP. RISE
6CCW (600 CFM)	3	5.0	16.0	12.1	10.7
	4.5	10.0	18.1	12.9	8.1
	6	17.5	19.0	13.2	6.3
8CCW (800 CFM)	4	5.0	21.3	16.1	10.6
	6	10.7	24.2	17.2	8.1
	8	18.2	25.5	17.7	6.4
10CCW (1000 CFM)	4	3.8	25.5	20.3	12.8
	6	7.9	30.0	21.9	10.0
	8	13.3	32.4	22.8	8.1
12CCW (1200 CFM)	5	5.7	29.8	23.6	11.9
	7	10.5	34.4	25.2	9.8
	9	16.4	36.9	26.2	8.2

NOTE:

1. Contact factory for capacities at conditions other than listed.

OPTIONAL HOT WATER COIL HEATING DATA					
UNIT MODEL	GPM	P.D. (FT.WTR.)	HEATING BTUH (1000) AT ENTERING WATER TEMP. (1)		
			120°F	140°F	180°F
6CCW (600 CFM)	2	2.1	12.9	18.0	28.3
	3	4.7	13.8	19.3	30.3
	4	8.2	14.4	20.2	21.7
8CCW (800 CFM)	2	2.1	14.8	20.7	32.5
	3	4.7	16.1	22.5	35.4
	4	8.2	16.9	23.6	37.1
10CCW (1000 CFM)	2	2.1	16.9	23.2	36.5
	3	4.7	18.2	25.5	40.1
	4	8.2	19.2	26.9	42.3
12CCW (1200 CFM)	2	2.1	18.6	26.0	40.9
	3	4.7	20.6	28.8	45.3
	4	8.2	21.8	30.5	47.9

NOTE:

1. Contact factory for capacities at conditions other than listed.

In keeping with its policy of continuous progress and product improvement, First Operations reserves the right to make changes without notice. Maintenance for all First Co. products is available under "Product Maintenance" at

OPTIONAL ACCESSORIES			
DESCRIPTION	PART #	USED ON UNIT MODEL	DIMENSIONS (W X H)
HANGER BRACKET	919-2	ALL	26 X 1-1/2
WALL PANEL	961	6, 8CCW	23-1/2 X 42-1/2
	962	10, 12CCW	27-1/2 X 47-1/2
	957	ALL WITH HW COIL	27-1/2" X 51-1/2

NOTES:

1. Hanger bracket attaches to closet wall to allow hanging of air handler inside closet. (field installed)
2. When wall panels are used, filters will be inside cabinet, not front mounted.

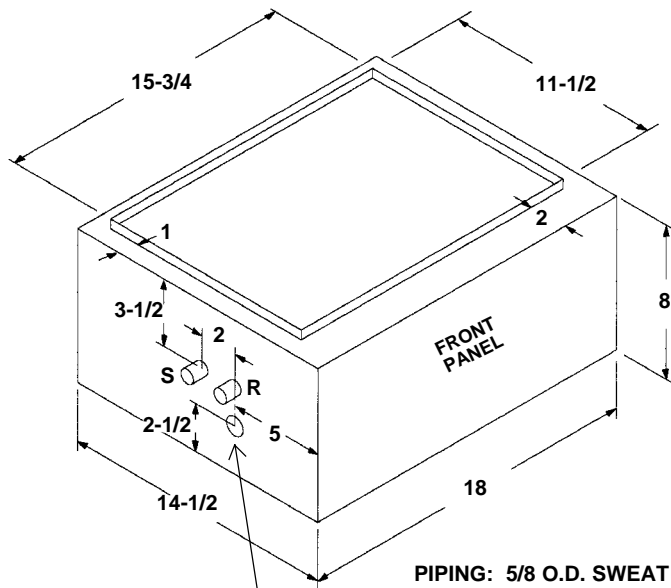
OPTIONAL HOT WATER COIL (Field Installed)		
PART #	FITS	DIMENSIONS (H X W X D)
974-4	ALL CCW's	8 X 18 X 14-1/2

NOTES:

1. Hot water coil includes a valve package having one 120V 3-way motorized valve, two combination balance/shut-off hand valves, and a 120V power head.
2. See P. 2 for hot water coil heating data.



(Unit shown with hot water coil in place)



ELECT.
SUPPLY
120V.

PIPING: 5/8 O.D. SWEAT
ELECT: 7/8 O.D.

PART NO. 974-4
CASED HW COIL FOR CCW
W/ 3-WAY VALVE, 120V.



VALVE CLUSTERS AND INDIVIDUAL COMPONENTS: (field installed)		
Assembled Valve Clusters: (factory-assembled and mounted) Components are factory piped together (order power heads separately). Contact factory for other valve clusters.		
6 / 8 CCW	10 / 12 CCW	Description (all 3/4") - For CCW
9VCSM22B-M	9VCLG22B-M	one 2-way valve body and 2 hand valves
9VCSM23B-M	9VCLG23B-M	one 3-way valve body and 2 hand valves
Power Heads: (two power heads required for 4-pipe) - For all units		
E50131180 E50132180 E50137180 E50138180		24V 110V/50Hz - 120V/60 Hz 277V 220V/50 Hz – 230V/60 Hz
Separate Valve Bodies: (order power heads separately)		
E421317 E431317	3/4" 2-way - For CCW 3/4" 3-way - For CCW	
Hand Valves: (Combination balance / shut-off) (2 usually req'd per coil)		
CP90		3/4"
Circuit Setters and Strainers		
CP6011 CP6025 CP6031	3/4" Circuit Setter (Taco) 3/4" Pete's Plug 3/4" Strainer (Kitz)	



(Unit shown with optional chilled water valve package)