

# CAQ Series

Recessed Ceiling Mount

Horizontal **Cased** Fan Coil

**DX Cooling / Hot Water Heating**

**1-1/2 through 2-1/2 tons, up to 39,300 BTUH Heating**

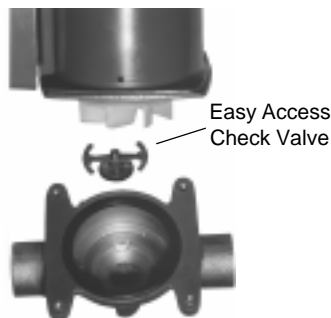
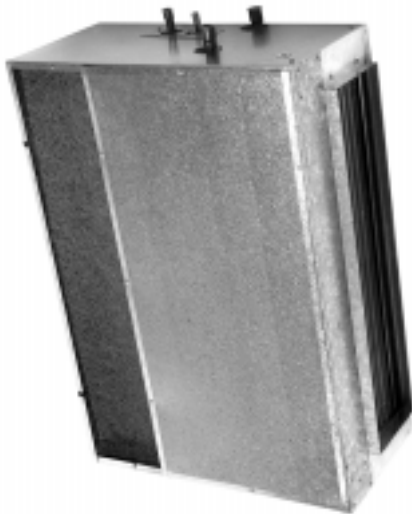


## Description :

The **CAQ** series fan coil is only 11" high and designed to be recessed in a furr down hallway, bathroom, or other ceiling area. Each fan coil includes a cooling coil, a separate hot water coil, 120V. blower motor, circulating pump, air purge valve, hot water check valve, 24/120V relay/transformer, and is shipped with an attractive access/return air panel, hanger brackets, and permanent filter.

This fan coil converts a standard gas or oil-fired water heater to a highly efficient, multi-purpose appliance that can heat an apartment, condominium, or home in addition to providing domestic hot water.

## **NEW FEATURE! EASY ACCESS CHECK VALVE**



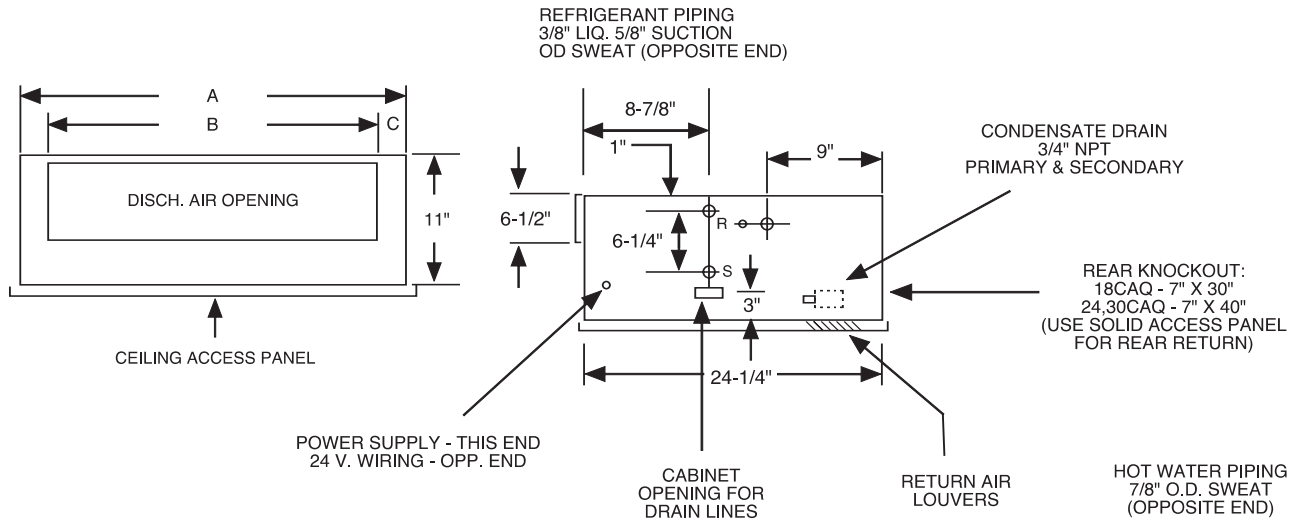
(Unit shown with louvered access panel)

## FEATURES:

1. Built-in **circulating pump**, **air purge valve**, and anti-thermosiphon **check valve**
2. Completely **cased**
3. Factory installed **permanent filter** (unless solid access panel is ordered)
4. Completely **serviceable** from below
5. Engineered for **extremely quiet** operation
6. **Access panel** provided with each unit
7. **Hanger brackets** shipped with each unit
8. **High efficiency** copper tube coils
9. Coil connections are **sweat type** and expanded for easy connection
10. **Insulated, sloped, and coated** drain pan

# CAQ Series

## Horizontal CASED Fan Coil



BLOWER DATA						
UNIT MODEL	CFM vs. EXTERNAL STATIC PRESSURE					
	0.05	0.10	0.15	0.20	0.25	0.30
18CAQ	770	750	730	710	690	660
24CAQ	890	870	840	810	780	750
30CAQ	890	870	840	810	780	750

ELECTRICAL DATA					
UNIT MODEL	MOTOR HP (120V)	AMPS		MIN. CIR. AMPACITY	MAX. HACR BREAKER
		MOTOR	PUMP		
18CAQ	1/4	3.5	.057	5.1	15
24CAQ	1/4	3.5	.057	5.1	15
30CAQ	1/4	3.5	.057	5.1	15

PHYSICAL DIMENSIONS				
UNIT MODEL	A	B	C	PANEL SIZE
18CAQ	35-1/2	30	2-3/4	27-1/2 X 39
24CAQ	45-1/2	36	4-3/4	27-1/2 X 49
30CAQ	45-1/2	36	4-3/4	27-1/2 X 49

PERFORMANCE DATA						
UNIT MODEL	NOMINAL COOLING BTUH	GPM (HEATING)	P.D. (FT. WTR.) (COIL ONLY)	BTUH (1000) <sup>(1)</sup> AT ENT. WATER TEMPERATURE		
				120°F	140°F	180°F
18CAQ	18,000	3	3.0	14.3	20.0	31.4
24CAQ	24,000	3	3.1	17.9	25.0	39.3
30CAQ	30,000	3	3.1	17.9	25.0	39.3

CEILING PANELS		
PART NUMBER	TYPE	USED ON MODEL NUMBER
963	LOUVERED	18 CAQ
964	LOUVERED	24, 30 CAQ
963-1	SOLID (1)(2)	18 CAQ
966-1	SOLID (1)(2)	24, 30 CAQ

(1) Heat BTUH is at 70 degree EAT.

**NOTES:**

- 180 degree data is supplied for boiler applications.
- Heating BTUH output will not exceed output of water heater.
- Approved for installation with 0" clearance to combustible materials.

"In keeping with its policy of continuous progress and product improvement, First Co. reserves the right to make changes without notice."

- (1) For ducted rear return, order solid panel and cut out rear; knockout where indicated.
- (2) External filter grill must be used when solid panels are ordered.