

First Co.

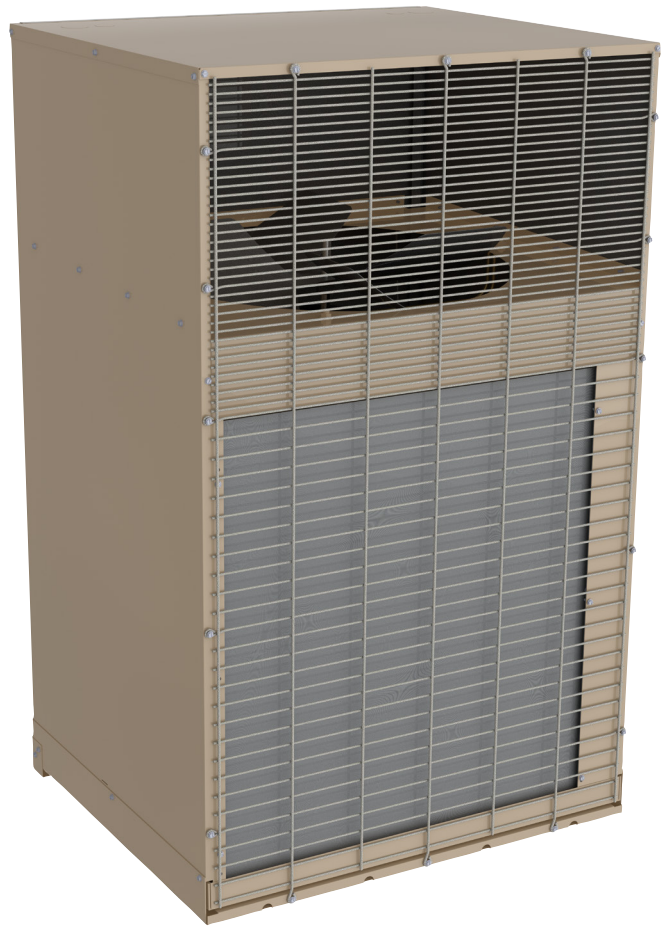
WHHP

Thru-The-Wall Heat Pump

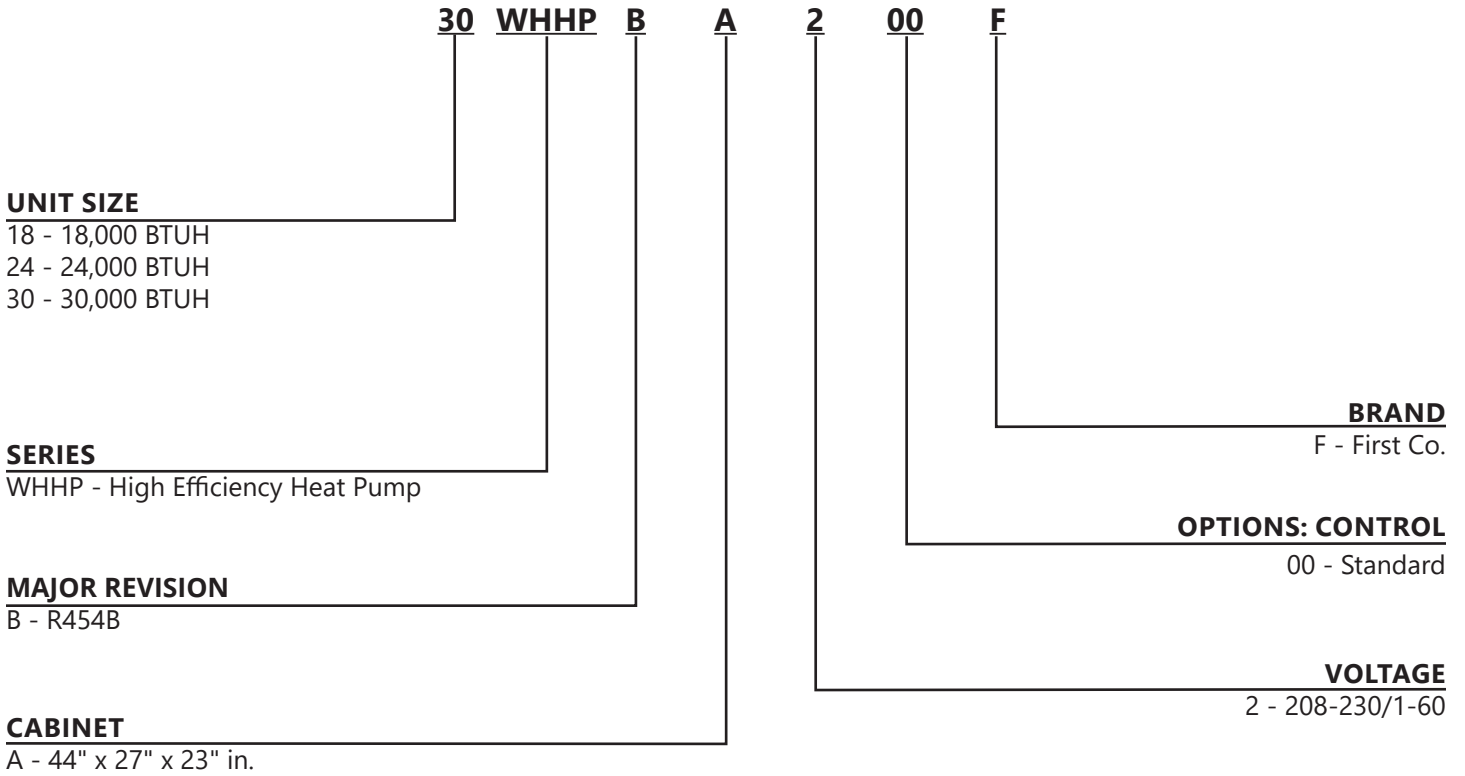
1.5 – 2.5 Tons

Up To 14 SEER2

R454B



NOMENCLATURE



WHHP

THRU-THE-WALL-HEAT PUMP

APPLICATION

The space and cost saving features of through the wall split heat pumps continue to be important to architects, engineers, multi-family developers, and today's projects that demand higher efficiency equipment.

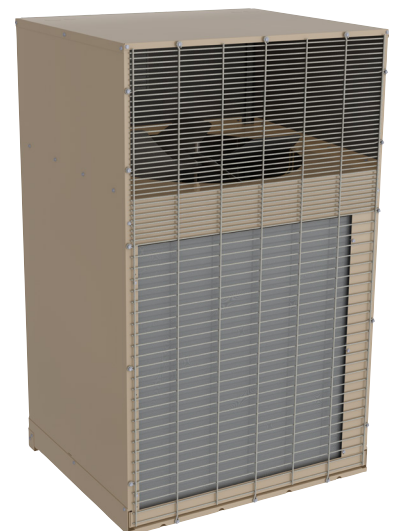
First Co. is proud to offer the high efficiency **WHHP**. By using the industry's latest state-of-the-art components such as ECM motors, high efficiency compressors, and enhanced coil technology, the **WHHP** heat pump achieves **11.9 - 13.0 SEER2** when combined with its matching First Co. high efficiency air handler. In addition, the heat pump's unique propeller-type fan blade operates at a slower speed and is much quieter than traditional squirrel cage type blowers.

THROUGH-THE-WALL VS CONVENTIONAL CONDENSING UNITS

- Lower Installation Costs - **WHHP** heat pumps install on the same floor as the apartment, townhome, or condominium resulting in considerable cost savings in refrigerant, refrigerant piping, and electrical wiring compared to condensing units installed on the ground or roof.
- Easier to Service - Being located on the same floor as the apartment, town home, or condominium, service and routine maintenance of the **WHHP** is much easier and can be performed by one person.
- Through-the-wall units eliminate theft.
- No costly landscaping needed to hide the units.
- No heat pump support pads required.
- No additional roof support expenses.
- No chaseways to roof or ground needed for refrigerant lines.

FACTORY MATCHED INDOOR AIR HANDLERS

The First Co. high efficiency **UCX** and **CLX** indoor air handlers are specifically designed to optimize the efficiency, cooling capacity, and overall performance of the **WHHP** heat pump.



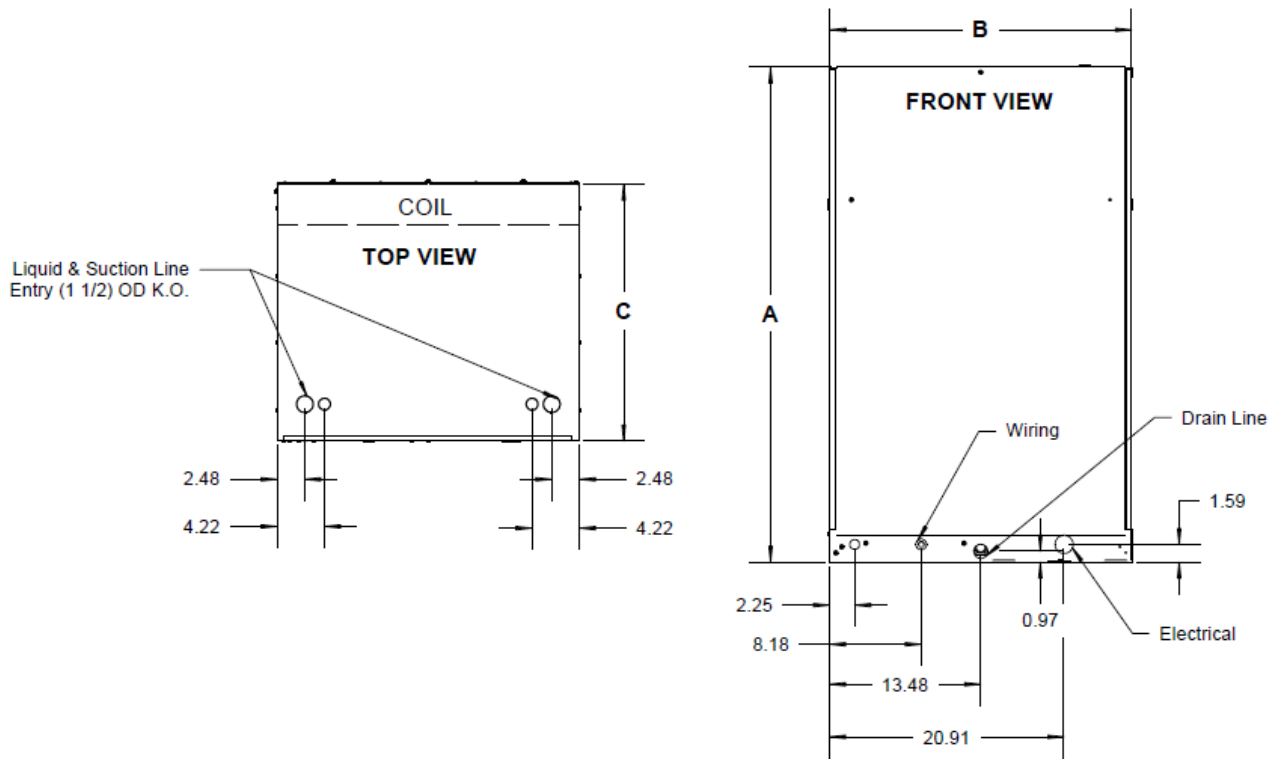
WHHP

THRU-THE-WALL-HEAT PUMP

FEATURES

- High efficiency ECM motor
- Unique cabinet design - unit side panels fit inside rather than outside the base pan to improve water containment on the sides of the cabinet.
- High efficiency scroll or reciprocating R-454B compressor.
- High pressure switch
- Propeller type fan with ECM motor - Moves more air over the condenser coil at lower operating watts than standard "squirrel cage" type blower.
- Lower RPM fan motor - Much quieter operation
- Factory charged with R-454B refrigerant - charge will need to be field adjusted.
- Sloped base pan - Positive water drainage from the unit to the building exterior.
- Plastic coated coil guard

PHYSICAL DIMENSIONS



UNIT MODEL	A	B	C	LIQ/SUCT. LINE CONN (SWEAT)	APPROX. SHIP WT.
18WHHPBA*	44	27	23	3/8 O.D. / 3/4 O.D.	265
24WHHPBA*					270
30WHHPBA*					280

WHHP

THRU-THE-WALL-HEAT PUMP

ELECTRICAL DATA 208/230V – 1PH – 60HZ						
UNIT MODEL	COMPRESSOR		CONDENSER FAN		MIN. CIR. AMPACITY	MAX. OVERCURRENT PROTECTION
	RLA	LRA	HP	FLA		
18WHHPBA*	7.18	47	1/3	2.8	12	15
24WHHPBA*	9.17	59	1/3	2.8	15	20
30WHHPBA*	10.45	71	1/3	2.8	16	25

Note:
 (1) SEER and capacity information are combined ratings certified by First Co. and submitted to the U.S. Department of Energy and AHRI. To view (and search) this listing, go to: <http://www.regulations.doe.gov/certification-data/> or <https://www.ahridirectory.org/>
 (2) Contact First Co. for certified coil combinations.

OPTIONAL ACCESSORIES

OPTIONAL INSULATION SLEEVE (SEE MATCHING LOUVER)					
PART NUMBER	USE WITH	DESCRIPTION	DIMENSIONS		
			H	W	D
9WHS-1	All WHHP models	Sleeve installs in rough-in to facilitate heat pump installation and removal for service	45-1/2	27-1/2	13

OPTIONAL ARCHITECTURAL LOUVER (FIELD INSTALLED)				
PART (1) NUMBER	USE WITH	DIMENSIONS		
		H	W	D
G212A G212PPA G212S	All WHHP models	44	27	23

Notes:
 1. "A" = Clear Anodized | "PPA" = Paint Prepared Aluminum | "S" Custom Painted
 2. Louver screws to the "face" of the condensing unit in place of the factory wire guard.
 3. Louvers can be factory painted almost any color. Contact the factory for additional information and cost.

OPTIONAL INSULATION JACKET					
PART NUMBER	USE WITH	DESCRIPTION	DIMENSIONS		
			H	W	D
9WHJ-1	All WHHP models	Insulation jacket	46-1/4	29-1/2	12



Figure 1
Insulation Jacket



Figure 2
Shown with Insulation Jacket Installed

In keeping with its policy of continuous progress and product improvement, First Co. reserves the right to make changes without notice.



AMERICAN-MADE. FAMILY OWNED.



FIRST CO.
P.O. BOX 270969 - DALLAS, TEXAS 75227
PH. (214) 388-5751 | FAX (214) 388-2255
WWW.FIRSTCO.COM

JANUARY 2025