



Autospeed 24V

Wall Thermostat

24V Digital 3-Speed Wall Thermostat

and Fan Coil Control Board

2 Pipe and 4 Pipe Fan Coils



The new Autospeed **24V™** thermostat (part #'s T200 and T201) provides 24V AC single stage temperature control of 2 pipe and 4 pipe fan coil applications. The T200/T201 thermostat offers maximum comfort and efficiency by automatically selecting the appropriate High, Medium, or Low fan speed, depending on room temperature and thermostat temperature setting. This automatic fan speed control not only brings the room temperature to the desired set point quickly, it maintains the room temperature with the most efficient fan speed selection. Once the desired room temperature is achieved the fan coil operates on low speed for extremely quiet operation.

The fan coil control board is a circuit board that provides control of a 3-speed line voltage (120, 208-240, or 277V), (50 or 60 cycle) fan motor. The control board allows the thermostat to control the fan motor even though, by itself, the thermostat does not have the current capability nor voltage rating capability to control the fan motor. Contact the factory for various control board part numbers.

For ceiling fan coils and vertical console units, optional controls are factory installed, which include the control board, transformer, and disconnect switch. For MB/MB-HW and CW/CW-HW/CWE series upflow or horizontal fan coils, the optional control board and transformer can be factory installed inside the unit wiring compartment. A disconnect switch is not available with the MB/MB-HW and CW/CW-HW/CWE models.



(Shown with wall plate)

T200/T201 Thermostat Features

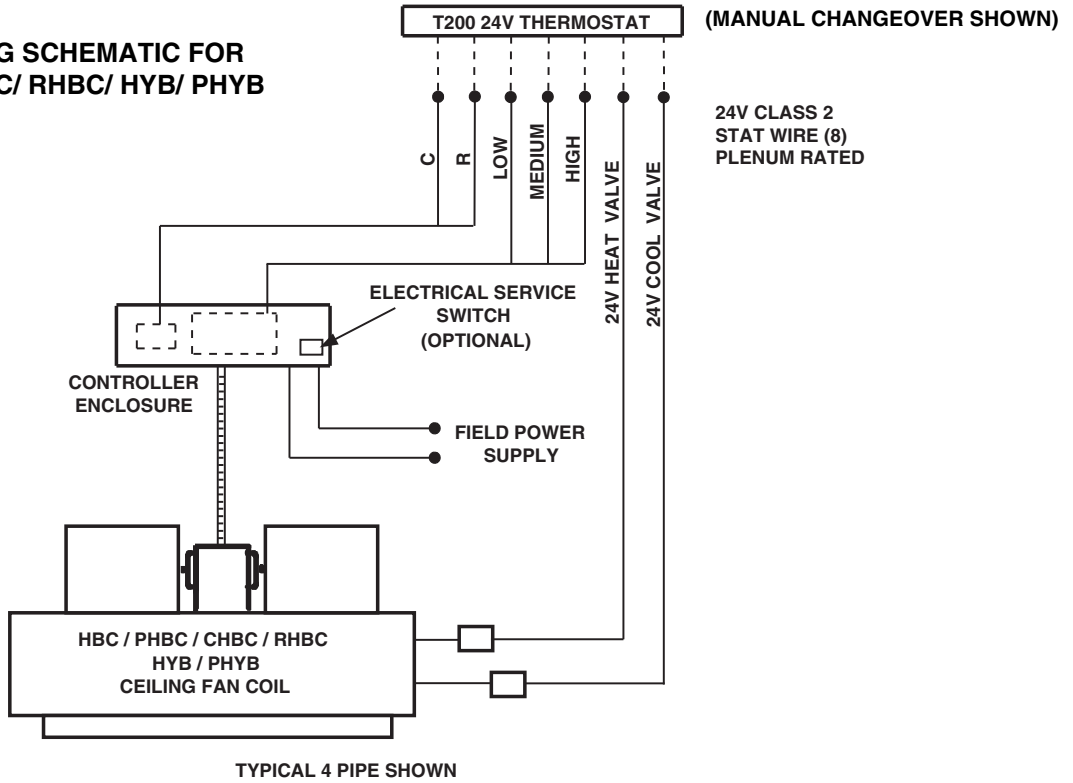
- Compatible with 2 pipe and 4 pipe fan coils Series HBC/PHBC/RHBC/CHBC, MB/MB-HW, HYB/PHYB, and CW/CW-HW/CWE
- Cycle fan or continuous fan operation
- **T200**-Manual Heat / Cool changeover switch
- **T201**-Automatic Heat / Cool changeover
- Large LED digital display
- Allows less expensive 24V control wiring from the fan coil to the thermostat, rather than larger, more expensive line voltage wiring.
- 3-speed fan operation, with speed indicator lights
- Fan speed determination:
 - If room temperature is 4 degrees (F.) off thermostat set point, fan will operate on High speed.
 - If 3 degrees off set point, fan will operate on Medium speed.
 - If within 2 degrees of set point, fan will operate on Low speed.
- One or 3 hour Auto override - Fan speed defaults to "Auto" mode after 1 hour if the user manually changes it to a particular fan speed.
- Temperature set range: 64-88 degrees F.
- Adjustable high and low temperature set points
- Selectable Fahrenheit / Centigrade display
- Power switch turns system off/on
- Requires 7-wire 24V thermostat wire
- No batteries required
- Set points are permanently retained in memory in case of power interruption
- Simple operation
- Mercury Free
- Wall plate included

DISPLAY CODES		
DISPLAY	STEADY	FLASHING
P1	Auto fan timer - 1 hour (default)	Auto fan timer - 3 hour
P2	Continuous fan (default)	Cycled fan
P3	°F (default)	°C
P4	Cycled fan standard	Cycled fan overdrive (default)
P5	Low temp limit 64 °F (default)	Low temp limit 67 °F
P6	Hi temp limit 88 °F (default)	Hi temp limit 84 °F

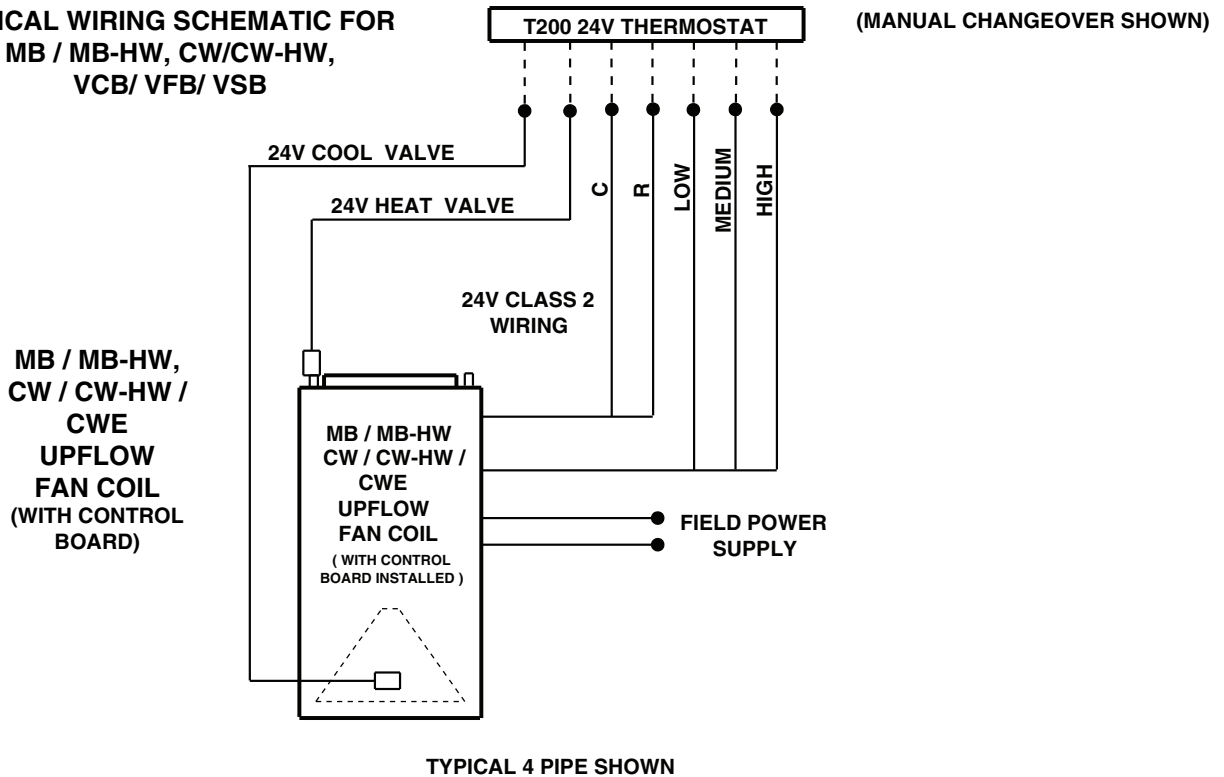
T200/T201

Autospeed 24V Control Package

TYPICAL WIRING SCHEMATIC FOR HBC/ PHBC/ CHBC/ RHBC/ HYB/ PHYB



TYPICAL WIRING SCHEMATIC FOR MB / MB-HW, CW/CW-HW, VCB/ VFB/ VSB





FIRST CO.
P.O. BOX 270969 - DALLAS, TEXAS 75227
PH. (214) 388-5751 | FAX (214) 388-2255
WWW.FIRSTCO.COM

MARCH 2024