



FIRST CO.
P.O. BOX 270969 - DALLAS, TEXAS 75227
PH. (214) 388-5751 | FAX (214) 388-2255
WWW.FIRSTCO.COM

HBXX/HCXX-120 ECM Series

High Efficiency ECM



HBXX/HCXX-120 Series

Vertical/Horizontal

Cooling or Heat Pump

1.5 - 5 Tons Cooling



The HBXX/HCXX-120 series air handler is designed to offer the industry an air handler that includes every available feature as well as up to 16 SEER when matched with today's higher efficiency condensing units and heat pumps.

HBXX/HCXX-120 Series

The **HBXX/HCXX-120** series air handler is designed to offer the industry an air handler that includes every available feature as well as up to **16 SEER** when matched with today's higher efficiency condensing units and heat pumps.

The **HBXX/HCXX-120** is completely factory assembled with a cooling coil, 120V motor, 24V transformer, horizontal drain pan, and throw away filter.

All components are installed within a fully insulated, galvanized steel cabinet with an attractive powder coated finish with **2% or**

(1) First Co's customer is ultimately responsible for confirming which fan coil models are compatible with selected outdoor unit(s) and which expansion valves (if any) are required. To determine certified indoor/outdoor matches, go to www.ahridirectory.org



HBXX/HCXX-120 Air Handler

STANDARD FEATURES:

- Factory installed **TXV kits** (non-bleed type) for optimum cooling performance.
- **3-way airflow**
- Factory installed horizontal drain pan
- Completely prewired with 0 electric heat
- Compatible with major brands of split condensing units and heat pumps (Contact factory for correct match with outdoor unit)
- **Cabinet air leakage is no more than 2% when tested in accordance with ASHRAE 193.16**
- Factory installed filter
- Attractive **baked on finish**
- **Copper tube** cooling coils
- Primary and secondary **drain connections** on cooling coil
- Fully **insulated and painted** galvanized steel cabinet

HBXX/HCXX-120 Series

Efficiency:

The **HBXX/HCXX-120** series air handler is the latest state-of-the-art air handler for heat pump or straight cool (DX) operation. Depending on the condensing unit or heat pump used, cooling efficiency is up to 16 SEER depending on the outdoor unit. Cooling coils have factory installed R410A TXV's and are circuited for cooling or heat pump operation.

First Co's customer is ultimately responsible for confirming which fan coil models are compatible with selected outdoor unit(s) and which expansion valves (if any) are required. To determine certified indoor/outdoor matches, go to: www.ahridirectory.org

Components:

Each air handler includes a high efficiency cooling coil, pre-wired, 120V fan motor, 24V transformer, horizontal drain pan, and throw away filter.

Cabinets:

Cabinets are fully insulated and painted with an attractive, baked-on powder coating (light gray). **Cabinet air leakage is no more than 2% when tested in accordance with ASHRAE 193.16**

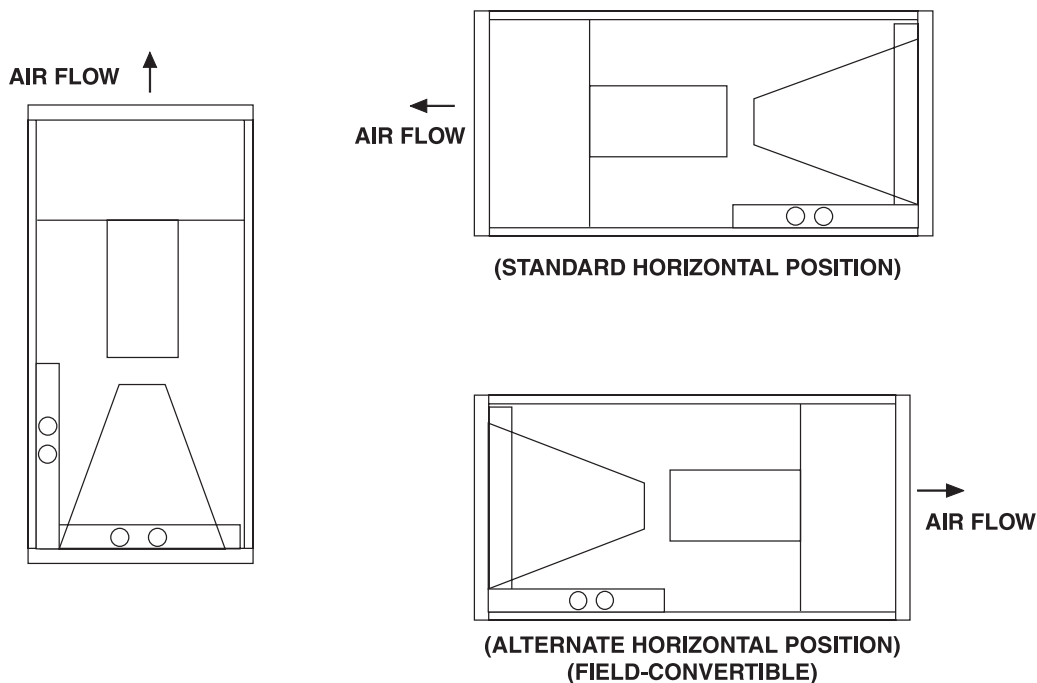
Installation:

No modification is required for vertical or horizontal (right-to-left) airflow. A horizontal drain pan is factory installed for right-to-left airflow and can be re-positioned within the cabinet to offer left-to-right airflow.

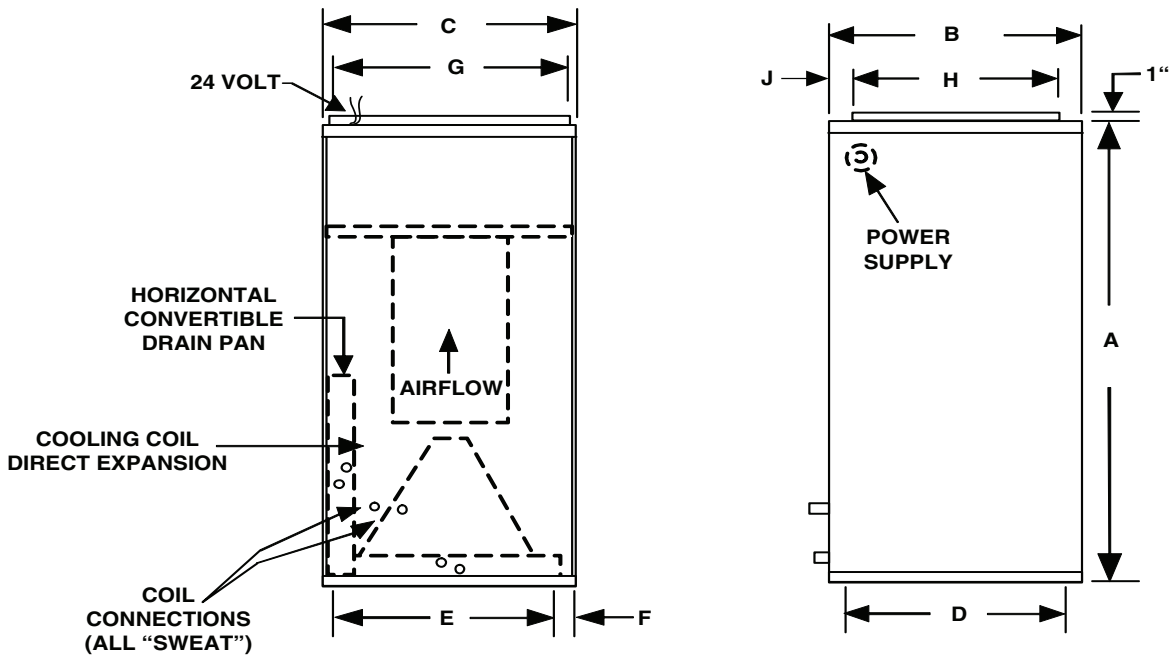
Accessories:

Accessories include cooling / heat pump R22 field mounted TXV kits. (P. 4)

3-WAY AIRFLOW



HBXX/HCXX-120 Series



PHYSICAL DIMENSIONS												
UNIT MODEL	A	B	C	D	E	F	G	H	J	LIQ. (SWEAT)	SUCT. (SWEAT)	FILTER
18HBXX 24HBXX	40	20	20	18-1/2	16	2	18	16	3	3/8	5/8	18 X 20 X 1
30HBXX 36HBXX	42	23	20	21-1/2	16	2	18	17	5	3/8	3/4	20 X 22 X 1
42HCXX 48HCXX 60HCXX	48	28	21-1/4	26-1/4	17	2	19-1/4	18-1/4	8-7/8	1/2	7/8	20 X 25 X 1
61HCXX	54	28	21-1/4	26-1/4	17	2	19-1/4	18-1/4	8-7/8	1/2	7/8	20 X 25 X 1

All TXV's are approved for cooling only or heat pump operation (non-bleed type).

(X) = ECM motor

NOTE:

Expansion valve requirement depends on the selected outdoor unit. Go to www.firstco.com under ratings or contact the factory for assistance.



HBXX/HCXX-120 Series

ELECTRICAL AND CFM DATA

BLOWER DATA ECM motor											
UNIT MODEL	MOTOR HP	SPEED TAP	MOTOR BHP	FLA	MCA	Max. Overload Protection	CFM vs. EXTERNAL STATIC PRESSURE				
							0.10	0.20	0.30	0.40	0.50
18HBXX	1/3	3	0.16	4.8	6.0	15	835	805	775	735	685
		1 & 2	0.10				655	630	590	545	505
24HBXX	1/3	4	0.19				945	875	800	730	640
		3	0.16				790	755	715	680	620
		1 & 2	0.11				625	575	540	485	450
30HBXX	1/2	3	0.22				6.8	9.0	15	1320	1285
		1 & 2	0.17	1135	1100	1055				1030	995
36HBXX	1/2	4	0.30	1375	1350	1330				1300	1275
		3	0.23	1230	1205	1175				1145	1120
		1 & 2	0.17	1075	1040	1010				975	945
42HCXX 48HCXX	1	4	0.52	10.9	14.0	20				1730	1700
		3	0.49				1685	1645	1600	1570	1525
		2	0.35				1440	1385	1345	1305	1255
		1	0.23				1170	1115	1060	1025	965
60HCXX	1	3	0.77				2015	1970	1935	1900	1865
		2	0.63				1870	1835	1790	1760	1715
		1	0.48	1655	1615	1575	1540	1495			
61HCXX	1	3	0.78	10.9	14.0	20	2045	2000	1965	1930	1895
		2	0.63				1900	1865	1815	1785	1740
		1	0.49				1680	1640	1600	1565	1515

NOTE: Use 48HCX for 3.5 ton applications and field convert to medium speed for cooling.

ACCESSORIES -

EXPANSION VALVE KITS for R22 (Field installed) (cooling only or heat pump)	
R22	
9EVR22-4	18/24HBX
9EVR22-5	30/36HBX
9EVR22-6	48/60HBX

NOTES:

1. Above expansion valve kits are approved for both cooling only (non heat pump) and heat pump applications.
2. Valves are non-bleed type. Field added. Hard start kit may be required.
3. Valves have screw-on connections.



In keeping with its policy of continuous progress and product improvement, First Co. reserves the right to make changes without notice. Maintenance for all First Co. products is available under "Product Maintenance" at www.firstco.com.



FIRST CO.
P.O. BOX 270969 - DALLAS, TEXAS 75227
PH. (214) 388-5751 | SALES@FIRSTCO.COM
WWW.FIRSTCO.COM