

# FWA-AQ SERIES HOT WATER FURNACE

## INSTALLATION, OPERATION & MAINTENANCE INSTRUCTIONS

### **\*\*WARNING TO INSTALLER, SERVICE PERSONNEL AND OWNER\*\***

Altering the product or replacing parts with non authorized factory parts voids all warranty or implied warranty and may result in adverse operational performance and/or a possible hazardous safety condition to service personnel and occupants. Company employees and/or contractors are not authorized to waive this warning. Current **Maintenance Program** is available at [www.firstco.com](http://www.firstco.com) under "Product Information".

### GENERAL

The manufacturer assumes no responsibility for equipment installed in violation of any code requirement.

These instructions give information relative to the installation of these fan coil units only. For other related equipment refer to the proper instructions.

Material in this shipment has been inspected at the factory and released to the transportation agency in good condition. When received, a visual inspection of all cartons should be made immediately. Any evidence of rough handling or apparent damage should be noted on the delivery receipt and the material inspected in the presence of the carrier's representative. If damage is found, a claim should be filed against the carrier immediately.

**Note: State of MA.-248 CMR code of the state of MA. requires a pump timer (60 seconds on every 6 hours). See diagram.**

### FAN COIL UNIT

The installer must adhere strictly to all local and national code require-

#### **\*\*\*\*\* WARNING \*\*\*\*\***

**Extreme caution must be taken that no internal damage will result if screws or holes are drilled into the cabinet.**

ments pertaining to the installation of this equipment.

These units are designed to be installed in either an upflow, downflow or horizontal position.

All fan coil units are U.L. listed for installation with zero inches clearance to combustible materials. This includes the unit cabinet, discharge plenum and connecting ducts. Sufficient clearance must be provided at the front of the unit to allow access to

#### **\*\*\*\*\* WARNING \*\*\*\*\***

**Unit must not be operated during building construction due to excessive airborne dust and debris. The unit must not be operated under any circumstances without an air filter in place.**

electrical controls and removal of the motor/blower assembly for servicing. This clearance distance should be approximately the same depth as the fan coil unit.

### AIR DISTRIBUTION DUCTS

All duct work must be installed in accordance with National Fire Protection Association Codes 90A and 90B. Ducts should be adequately insulated to minimize heat loss during the heating cycle. All return air must be filtered to prevent dirt buildup on the coil surface. If there is no ducted return, applicable installation codes may

limit the unit to installation only in a single story residence. In many cases it is acceptable to use ducting of the same size as the fan coil connections. However, unique arrangements or long duct runs must be confirmed by a local professional. The manufacturer will not be responsible for misapplied equipment.

### ELECTRICAL

All wiring must comply with local and national code requirements. Units are provided with wiring diagrams and nameplate data to provide information required for necessary field wiring. Knockouts are provided on each side of the cabinet for connection of power supply.

These units may be provided with a Class 2 transformer for 24-volt control circuits. Should any add-on equipment also have a Class 2 transformer furnished, care must be taken to prevent interconnecting outputs of the two transformers by using a thermostat with isolating contacts.

#### **\*\*\*\*\* WARNING \*\*\*\*\***

**Any devices such as fan switches or thermostats that have been furnished by the factory for field installation must be wired in strict accordance with the wiring diagram that is supplied with the unit. Failure to do so could result in damage to components and will void all warranties.**

## INSTALLATION PRECAUTIONS

Installation of this fan coil should only be performed by properly trained personnel to ensure proper installation and the safety of the installer. The following are some precautions to be followed for typical installations.

- Always use proper tools and equipment.
- No wiring or other work should be attempted without first ensuring that the fan coil is completely disconnected from the power source and locked out. Always verify that a good ground connection exists prior to energizing any power sources.
- Always review the nameplate on each unit for proper voltage and control configurations. This information is determined from the components and wiring of the unit and may vary from unit to unit.
- When soldering or brazing to the unit, it is recommended to have a fire extinguisher readily available. When soldering close to valve packages or other components, heat shields or wet rags are required to prevent damage.
- When the fan coil unit is in operation components are rotating at high speeds.

\*\*\*\*\* **WARNING** \*\*\*\*\*

***Do not touch any rotating component with any object. Damage to the equipment and personal injury can occur.***

- Units must be installed level to ensure proper operation.
- Check filter media installation to ensure that it is installed correctly. Use the directional arrows or other information on the filter to determine the proper flow direction.
- Ensure that the air distribution system does not exceed the external static rating of the unit.

## HOT WATER COIL PIPING PRECAUTIONS

- Flush all field piping prior to connection to remove all debris.
- Use wet cotton rags to cool valve bodies when soldering.
- Open all valves (midway for hand valves, manually open on motorized valves) prior to soldering.
- When soldering to bronze or brass, heat the piping while in the socket/cup and begin introducing the solder when the flux boils rapidly. Avoid direct flame into the solder joint.
- Heat can only be applied to the cup of the valve body for a minimal time before damage occurs (even with the use of wet rags).
- Avoid rapid quenching of solder joints as this will produce joints of inferior quality.
- Connect all piping per accepted industry standards and observe all regulations governing installation of piping systems. When all connections are complete the system must be pressure tested. Repair any solder joint leaks and gently tighten any leaking valve packing nuts and piping accessories as required. Hydronic systems are not designed to hold pressurized air and should only be tested with water.

\*\*\*\*\* **WARNING** \*\*\*\*\*

***When connecting piping to fan coil units, do not bend or reposition the coil header tubing for alignment purposes. This could cause a tubing fracture resulting in a water leak when water pressure is applied to the system.***

## HOT WATER COIL PIPING

Figure 1 illustrates a typical piping schematic for an Aqua Therm System.

The hot water coil connections are 3/4 inch nominal (7/8" OD) copper. The hot water supply to the fan coil should be on the right when facing the fan coil upright and from the front.

\*\*\*\*\* **WARNING** \*\*\*\*\*

***An expansion tank may be required if a back-flow preventer is installed in the system.***

All piping between the water heater and fan coil unit should be copper and should not exceed 200 feet of total piping. It is recommended that 3/4" nominal (7/8" OD) piping be used to prevent excessive head pressure losses. (Consult the factory for other piping applications.)

It is also recommended that all piping be adequately insulated to prevent freezing when piping is run in an unconditioned space.

**Solder Connections** - All copper joints in the water lines must be made with **low temperature - non lead solder**.

**"T" Connections** (at the water heater)-

Water lines to and from the fan coil unit must be taken from the horizontal connection of the "T" fittings in the vertical hot and cold water supply lines at the water heater. This ensures that any air in the system will be purged each time water is used in the dwelling. (See figure 1)

**Isolation Valves** - Two valves are recommended to be installed within the circulating loop to permit servicing of the system if required and to assist in purging the system.

**NOTE:** *Hot water coil freeze protection is available for applications where the fan coil is located in ambient air locations (attics, crawl spaces, etc.) or within structures that may be unoccupied during freezing conditions. Consult the factory for additional information.*

## OPERATION AND MAINTENANCE

### Pre-start Check

- Check that supply voltage matches nameplate data.
- Ensure that the unit is properly grounded.
- With power off, check blower wheel set screw for tightness and ensure that the blower wheel rotates freely and quietly. Remove the motor blower shipping brace on the 60MBQ blower assembly.
- Check that the water coil, valves and piping have been leak checked and insulated as required.
- Ensure that all air has been vented from the hot water coil.

**NOTE:** *It may require purging several gallons of water so have a means of discarding the water.*

- Install all panels.

**NOTE:** *The blower door must be in place for the unit to operate due to the door safety switch.*

- Install any filters which may have been removed during the installation process.

#### \*\*\*\*\* WARNING \*\*\*\*\*

- *Always wear eye protection.*
- *When fan coil is operating, some components are operating at high speeds. Personal injury can result from touching these items with any object*
- *All electrical and service access panels must be returned and secured in their proper place.*
- *Clear surrounding area of all tools, equipment and debris.*
- *Check the entire unit to ensure it's cleanliness.*

### Start-up and Maintenance

Before start-up, all of the components should be given a thorough check. Optimal operation of this equipment requires cleanliness. Often after installation of this equipment additional construction activities occur. Care must be taken to protect the equipment from debris during these construction phases.

#### \*\*\*\*\* WARNING \*\*\*\*\*

***The manufacturer does NOT WARRANT equipment subjected to abuse. Metal chips, dust, drywall tape, paint over spray, etc. can void warranties and liability for equipment failure, personal injury and property damage.***

### Fan

The fan should be inspected and cleaned, in conjunction with maintenance of the motor and bearings. It is important to keep the wheel clean in order to avoid imbalance and vibration.

### Motor

Check motor connections to ensure that they are secure and made in accordance with the wiring diagram.

The blower motor should be cleaned annually.

### Coil

Any dust or other contaminants which accumulate on the heat transfer surfaces interferes with the air flow and impairs heat transfer. The coil should be checked and cleaned annually by a licenced contractor.

### Filter

The air filter should be cleaned or replaced every 30 days or more frequently if severe conditions exist. Always replace the filter with the same type as originally furnished.

#### \*\*MAINTENANCE UPDATES\*\*

*For a current copy of the Maintenance Program log on to [www.firstco.com](http://www.firstco.com) and look under "Product Information"*

### Preventative Maintenance

To achieve maximum performance and service life of each piece of equipment a formal schedule of regular maintenance should be established and maintained. The equipment should be checked annually by a licenced contractor.

#### \*\*\*\*\* WARNING \*\*\*\*\*

***To prevent pump damage, the fan coil unit should not be energized for heating until the hot water coil and all water lines have been purged of air.***

### HEATING CYCLE

#### START - UP

- 1) Fill the water heater. Open a hot water faucet while filling the water heater to vent the air. When the tank is full and all the air is purged, close the faucet.

#### \*\*\*\*\* WARNING \*\*\*\*\*

***Hot water can cause scalding. A hot water mixing valve can be applied to the system to temper domestic water draw.***

- 2) Ignite the water heater and set the thermostat to 140 degrees.
- 3) Purge the air handler's hot water coil and lines.

**NOTE:** *It may require purging several gallons of water so either have a bucket available or a means of discarding the water.*

Close valve number 1 and open valve number 2. (See figure 1 ) Next, open the air bleed valve. When all of the air is purged from the lines close valve number 2 and open valve number 1. After all the air is purged from the coil and lines, open both valve number 1 and 2 and close the air bleed valve.

4) Switch the room thermostat to the "Heat" position and raise the temperature setting to a position approximately ten degrees above room temperature.

**NOTE:** The door switch must be activated to operate the unit.

The pump should energize and begin circulating the hot water through the coil. If the pump is operating properly and the water temperature in the water heater has reached the set point, then the hot water inlet at the fan coil unit will be hot. If the pump is running but hot water is not circulating, open the air bleed valve long enough to purge any remaining air from the hot water lines and coil. This will allow the pump to begin circulating hot water.

5) The water heater thermostat should be adjusted so that the water temperature entering the hot water coil is as close to 140 degrees as possible with the system energized and operating long enough for all temperatures to stabilize.

**PUMP REPLACEMENT**

Disconnect electrical power before servicing the unit.

To replace the circulator pump, close the isolation valves and relieve the water pressure within the heating loop. Disconnect the pump's 115 volt power lines within the control box and remove the four hex head screws securing the pump motor to the pump's volute.

Reverse the above steps for reassembling the pump, however make sure that the pump or volute has the rubber o-ring in place before assembling.

**CHECK VALVE REPLACEMENT**

Disconnect electrical power before servicing the unit.

To replace the internal check valve, close the isolation valves and relieve the water pressure within the heating loop. Remove the four hex head screws securing the pump motor to the pump's volute and remove. The check valve is located in the volute. Rotate the check valve to release and remove from the volute.

Reverse the above steps for re-installing a check valve, however make sure that the pump or volute has the rubber o-ring in place before assembling.

**TYPICAL PIPING SCHEMATIC**

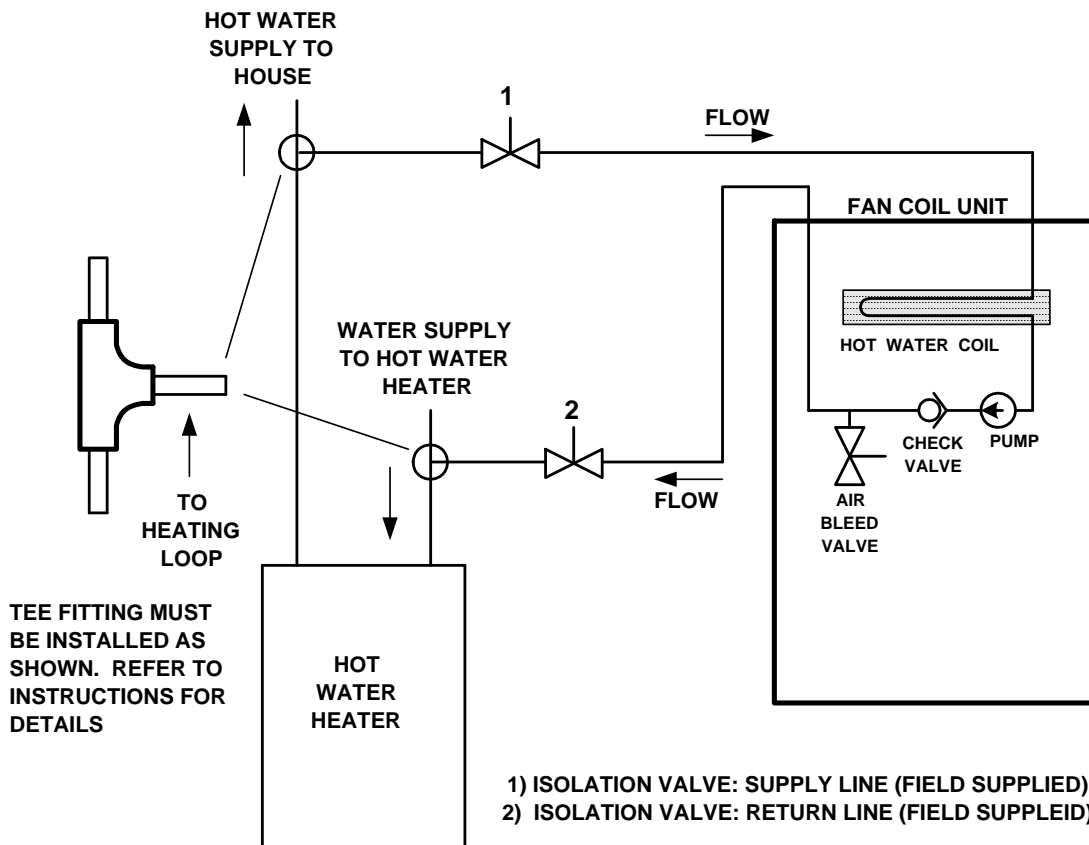


Figure 1

