



FIRST CO.
P.O. BOX 270969 - DALLAS, TEXAS 75227
PH. (214) 388-5751 | FAX (214) 388-2255
WWW.FIRSTCO.COM

CLX Series

Upflow, Closet Air Handler
1 - 3 Tons Cooling or Heat pump
0 - 10 kW Electric Heat



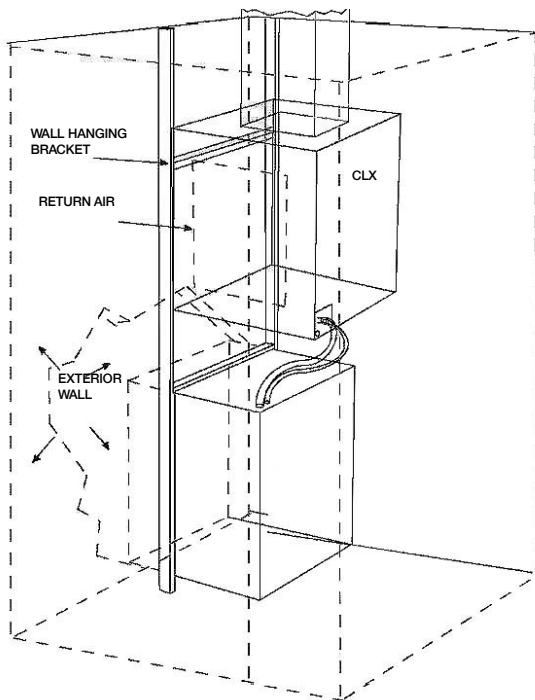
CLX Series

Today's higher efficiency air handlers are typically too large to fit into many smaller, space constrained closets. The **CLX** Series air handler is specifically designed to solve this problem. In addition, it's short height (less than 36"), makes it ideal for those applications where the existing air handler is located over an electric water heater. These upflow air handlers are designed for use with today's higher efficiency split-system condensing units and heat pumps.

All **CLX** fan coils include a high efficiency constant torque ECM motor. These motors offer the efficiency of a variable speed type ECM motor, but at a considerably lower cost. ECM motors are up to 33 percent more efficient than PSC motors at the rated operating speed. Return air (either ducted or free return) can come from either the left side or the right side of the cabinet (determined by looking at the front of the cabinet) and must be identified at the time of order entry.

A high efficiency coil is factory installed on either side of the cabinet, and is standard with a factory installed R-410 TXV. A 1" disposable filter is also factory installed within the cabinet and is easily accessible.

STANDARD FEATURES:



Typical installation over a Through the Wall Condensing Unit or Heat Pump

- High efficiency standard ECM motor
- Less than 36" tall!!
- Right or left hand return air (order must specify)
- Compatible with most major brands of condensing units and heat pumps (see (1) above)
- Up to 10 kW of electric heat
- High efficiency copper tube / aluminum fin coil with factory installed R-410 TXV (non-bleed type)
- 240V motor, 24V controls
- Coil drain pan is coated with insulation to reduce corrosion
- Factory installed hanger flange for wall mounting
- Easily accessible 1" disposable filter
- Shipped with wall mounting bracket

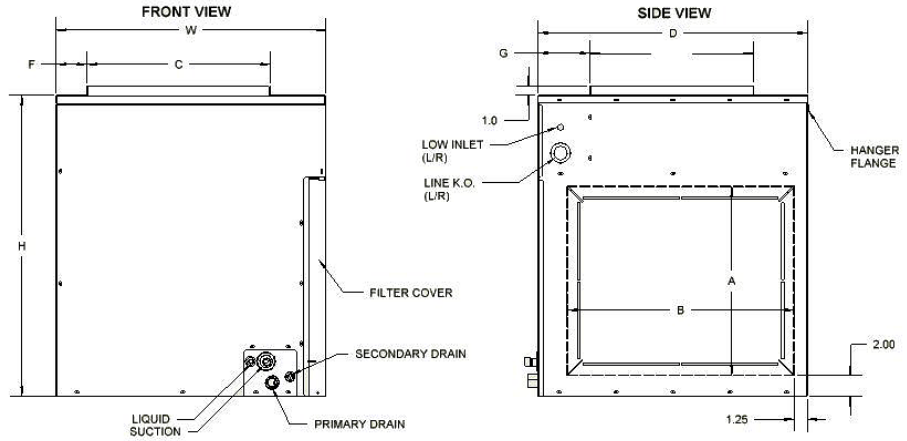


First Co's customer is ultimately responsible for confirming which fan coil models are compatible with selected outdoor unit(s) and which expansion valves (if any) are required. To determine certified indoor/outdoor combinations, go to www.firstco.com or contact the factory.

CLX Series

Cooling or Heat Pump
Electric Heat

Drain Connections:
Primary 3/4" MPT
Secondary 3/4" OD Sweat



DIMENSIONS										
UNIT MODEL	H	W	D	A	B	C	E	F	G	SHIP WT.
12CLX	27-3/8	22-3/8	24-3/8	15-7/8	19-1/4	16	12	2-3/8	7-3/4	110
24CLX	27-3/8	22-3/8	24-3/8	15-7/8	19-1/4	16	16	2-3/8	7-3/4	120
25/36CLX	29-3/8	26-3/8	26-3/8	18-3/8	22-3/8	18	16	3	7-3/4	130
37CLX	35-3/8	26-3/8	26-3/8	24-3/8	22-3/8	18	16	3	7-3/4	140

PERFORMANCE DATA											
UNIT MODEL	NOM. BTUH CLG.	ELECTRIC HEAT CAPACITY				TOTAL AMPS		MIN. CIR. AMPACITY		MAX. FUSE OR HACR BREAKER	
		kW		MBTUH		240V	208V	240V	208V	240V	208V
		240V	208V	240V	208V						
12CLX	2	2.0	1.5	6.8	5.1	10.6	9.5	14	12	15.0	15.0
	3	3.0	2.3	10.2	7.9	14.8	13.1	19	17	20.0	20.0
	4	4.0	3.0	13.6	10.2	19.0	16.7	24	21	25.0	25.0
	5	5.0	3.8	17.0	13.0	23.1	20.3	29	26	30.0	30.0
	10	10.0	7.5	34.1	25.6	44.5	38.9	56	49	60.0	60.0
24/25CLX	2	2.0	1.5	6.8	5.1	11.1	10.0	14	13	15.0	15.0
	3	3.0	2.3	10.2	7.9	15.3	13.9	19	17	20.0	20.0
	4	4.0	3.0	13.6	10.2	19.5	17.2	24	22	25.0	25.0
	5	5.0	3.8	17.0	13.0	23.6	21.1	30	26	30.0	30.0
	6	6.0	4.5	20.5	15.3	27.8	24.4	35	31	35.0	35.0
	10	10.0	7.5	34.1	25.6	44.5	38.9	56	49	60.0	60.0
36/37CLX	2	2.0	1.5	6.8	5.1	12.4	11.3	16	14	20.0	15.0
	3	3.0	2.3	10.2	7.9	16.6	15.2	21	19	25.0	20.0
	4	4.0	3.0	13.6	10.2	20.8	18.5	26	23	30.0	25.0
	5	5.0	3.8	17.0	13.0	24.9	22.4	31	28	35.0	30.0
	6	6.0	4.5	20.5	15.3	29.1	25.7	36	32	40.0	35.0
	10	10.0	7.5	34.1	25.6	45.8	40.2	57	50	60.0	50.0

COOLING COIL DATA (FACTORY INSTALLED)				
PRODUCT NUMBER	NOMINAL COOLING (TONS)	STANDARD METERING DEVICE	COIL CONNECTION (LIQ. & SUCT.)	FILTER
12CLX	1.0 tons	TXV	3/8 I.D. / 5/8 I.D. (SWEAT)	18 X 24 X 1
24CLX	2.0 / 1.5 tons	TXV		18 X 24 X 1
25CLX	2.0 / 1.5 tons	TXV		20 X 25 X 1
36CLX	3.0 / 2.5 tons	TXV		20 X 25 X 1
37CLX	3.0 / 2.5 tons	TXV		25 x 25 x 1

MODEL NUMBERS:

MODEL SIZE (BTU)	MODEL (R-410A TXV)
12,000	12CLX() (-RH or LH) R410 TXV
24,000 / 18,000	24/25CLX() (-RH or LH) R410 TXV
36,000 / 30,000	36/37CLX() (-RH or LH) R410 TXV

All models are approved for cooling only or heat pump operation (non-bleed type).

() = kW HEAT @ 240V

EXAMPLE: 36CLX8-RH R410 TXV
(8 kW Right Hand Return with Installed R-410A TXV)

*Note - Grayed boxes are factory settings.

BLOWER DATA										
UNIT MODEL	FAN SPEED TAP	MOTOR AMPS (230V)	MOTOR HP	CFM VS EXTERNAL STATIC PRESSURE						
				0.10	0.15	0.20	0.25	0.30	0.40	0.50
12CLX	WHT	2.3	1/4	545	530	510	495	480	---	---
	GRY			505	490	475	455	440	---	---
	VIO			315	290	265	235	205	---	---
24CLX	5	2.8	1/3	880	865	850	845	840	830	790
	4			790	780	770	765	760	740	710
	3			690	685	680	670	660	620	595
	2			590	585	585	570	550	510	485
25CLX	4	2.8	1/3	960	940	920	900	880	840	800
	3			820	800	780	720	740	690	650
	2			650	620	590	565	540	470	410
	1			550	520	490	455	420	---	---
36CLX	5	4.1	1/2	1390	1370	1350	1335	1320	1280	1240
	4			1250	1230	1210	1190	1170	1130	1090
	3			1100	1080	1060	1040	1020	970	920
	2			830	805	780	755	730	680	630
37CLX	5	4.1	1/2	1330	1315	1300	1275	1250	1220	1190
	4			1190	1170	1150	1135	1120	1080	1050
	3			1060	1040	1020	1000	980	940	900
	2			940	915	890	870	850	810	760



WARNING AVERTISSEMENT ADVERTENCIA
Cancer and Reproductive Harm
Cancer et Troubles de l'appareil reproducteur
Cáncer y Daño Reproductivo
www.P65Warnings.ca.gov LBY0657

In keeping with its policy of continuous progress and product improvement, First Co. reserves the right to make changes without notice. Maintenance for all First Co. products is available under "Product Maintenance" at www.firstco.com.



FIRST CO.
P.O. BOX 270969 - DALLAS, TEXAS 75227
PH. (214) 388-5751 | SALES@FIRSTCO.COM
WWW.FIRSTCO.COM