



FIRST CO.
P.O. BOX 270969 - DALLAS, TEXAS 75227
PH. (214) 388-5751 | FAX (214) 388-2255
WWW.FIRSTCO.COM

CLP Series

Upflow, Closet Air Handler
1.5 - 3 Tons **Cooling or Heat pump**
0 - 10 kW Electric Heat



CLP Series

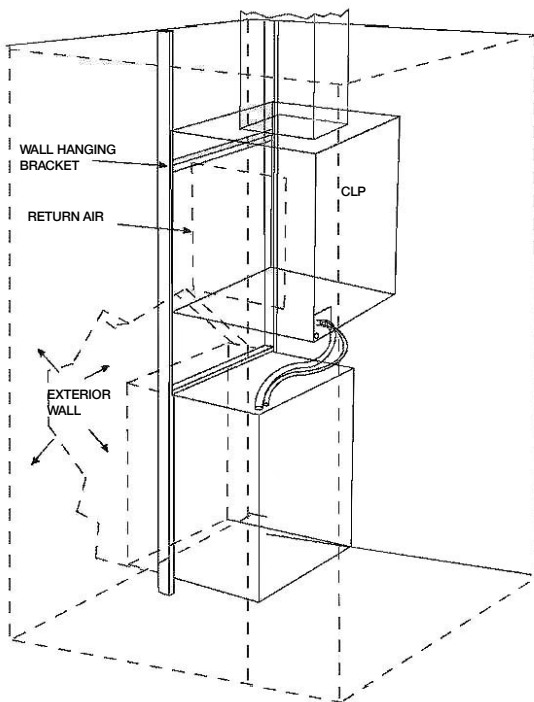
Today's higher efficiency air handlers are typically too large to fit into many smaller, space constrained closets. The CLP Series air handler is specifically designed to solve this problem. In addition, it's short height (less than 30"), makes it ideal for those applications where the air handler is located over an electric water heater (in both new and replacement applications).

Return air (either ducted or free) can come from either the left side or the right side of the cabinet (determined by looking at the front of the cabinet) and must be identified at the time of order entry.

A high efficiency coil is factory installed on either side of the cabinet, and is available with a factory installed R-410 TXV. A 1" disposable filter is also factory installed within the cabinet and is easily accessible.

STANDARD FEATURES:

- Less than 30" tall!!
- Right or left hand return air (order must specify)
- Compatible with most major brands of condensing units and heat pumps (see (1) above)
- Hot water coil with circulating pump and hot water check valve
- High efficiency copper tube / aluminum fin coil with a factory installed R-410A TXV
- 240V motor, 24V controls
- Coil drain pan is coated with insulation to reduce corrosion
- Painted cabinet
- Factory installed hanger flange for wall mounting
- Easily accessible 1" disposable filter
- Shipped with wall mounting bracket



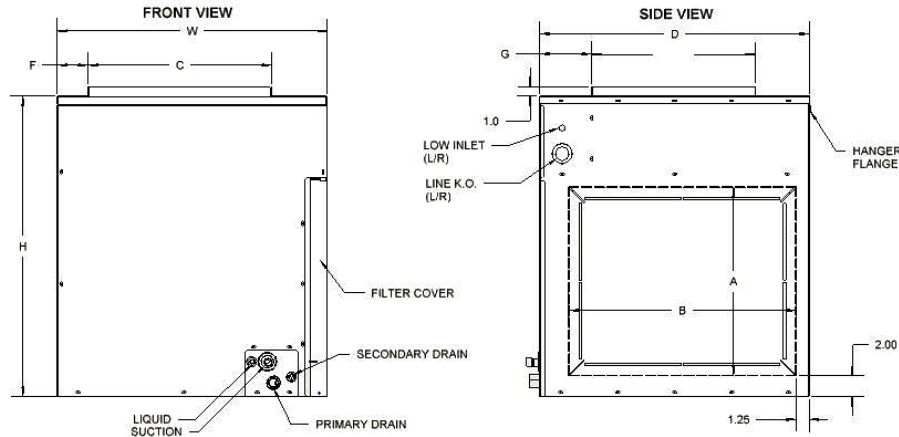
Typical installation over a Through the Wall Condensing Unit or Heat Pump



First Co's customer is ultimately responsible for confirming which fan coil models are compatible with selected outdoor unit(s) and which expansion valves (if any) are required. To determine certified indoor/outdoor combinations, go to www.firstco.com or contact the factory.

CLP Series

Cooling or Heat Pump
Electric Heat



Drain Connections:
Primary 3/4" MPT
Secondary 3/4" OD Sweat

DIMENSIONS										
UNIT MODEL	H	W	D	A	B	C	E	F	G	SHIP WT.
24CLP	27-3/8	22-3/8	24-3/8	15-7/8	20-1/2	16	16	2-3/8	4	120 LBS.
36CLP	29-3/8	26-3/8	26-3/8	18-3/8	23-2/8	18	16	3	5	130 LBS.

COOLING COIL DATA (FACTORY INSTALLED)				
PRODUCT NUMBER	NOMINAL COOLING (TONS)	STANDARD METERING DEVICE	COIL CONNECTION (LIQ. & SUCT.)	FILTER
24CLP	2.0 / 1.5 tons	TXV	3/8 I.D. / 5/8 I.D. (SWEAT)	18 X 24 X 1
36CLP	3.0 / 2.5 tons	TXV		20 X 25 X 1

BLOWER DATA										
UNIT MODEL	FAN SPEED	AMP (230V)	MOTOR HP	CFM vs EXTERNAL STATIC PRESSURE						
				.10	.15	.20	.25	.30	.40	.50
24CLP	HIGH	1.6	1/6	820	815	810	800	795	755	700
	LOW			600	595	585	575	565	525	500
36CLP	HIGH	2.5	1/3	1510	1480	1455	1425	1400	1345	1280
	LOW			1130	1120	1110	1100	1090	1060	1010

PERFORMANCE DATA											
UNIT MODEL	NOM. CFM	ELECTRIC HEAT CAPACITY				TOTAL AMPS		MIN. CIR. AMPACITY		MAX. FUSE OR HACR BREAKER	
		kW		MBTUH		240V	208V	240V	208V	240V	208V
		240V	208V	240V	208V						
24CLP	800	2.0	1.5	6.8	5.1	9.5	8.4	12.0	11.0	15.0	15.0
		3.0	2.3	10.2	7.9	13.7	12.3	18.0	15.0	20.0	15.0
		4.0	3.0	13.6	10.2	17.9	15.6	23.0	20.0	25.0	20.0
		5.0	3.8	17.0	13.0	22.0	19.5	28.0	25.0	30.0	25.0
		6.0	4.5	20.5	15.3	26.2	22.8	33.0	29.0	35.0	30.0
		8.0	6.0	27.3	20.5	34.5	30.0	44.0	38.0	45.0	40.0
36CLP	1200	10.0	7.5	34.1	25.6	42.9	37.3	54.0	47.0	60.0	50.0
		2.0	1.5	6.8	5.1	10.8	9.7	14.0	12.0	15.0	15.0
		3.0	2.3	10.2	7.9	15.0	13.6	19.0	17.0	20.0	20.0
		4.0	3.0	13.6	10.2	19.2	16.9	24.0	21.0	25.0	25.0
		5.0	3.8	17.0	13.0	23.3	20.8	29.0	26.0	30.0	30.0
		6.0	4.5	20.5	15.3	27.5	24.1	35.0	30.0	35.0	30.0
8.0	6.0	27.3	20.5	35.8	31.3	45.0	39.0	45.0	40.0	40.0	
		10.0	7.5	34.1	25.6	44.2	38.6	55.0	48.0	60.0	50.0

MODEL NUMBERS:

MODEL SIZE (BTU)	MODEL (R-410A TXV)
24,000 / 18,000	24CLP(_)- (RH or LH) R410 TXV
36,000 / 30,000	36CLP(_)- (RH or LH) R410 TXV

All models are approved for cooling only or heat pump operation (non-bleed type).

(_) = kW HEAT @ 240V

EXAMPLE: 36CLP8-RH R410 TXV
(8 kW Right Hand Return with Installed R-410A TXV)



WARNING AVERTISSEMENT ADVERTENCIA
Cancer and Reproductive Harm
Cancer et Troubles de l'appareil reproducteur
Cáncer y Daño Reproductivo
www.P65Warnings.ca.gov LB90057

In keeping with its policy of continuous progress and product improvement, First Co. reserves the right to make changes without notice. Maintenance for all First Co. products is available under "Product Maintenance" at www.firstco.com.



FIRST CO.
P.O. BOX 270969 - DALLAS, TEXAS 75227
PH. (214) 388-5751 | SALES@FIRSTCO.COM
WWW.FIRSTCO.COM