



Ceiling Access Panel

Solid or Louvered

Steel Construction

Captive Screws

Louvered or Non-Louvered



CEILING ACCESS PANELS



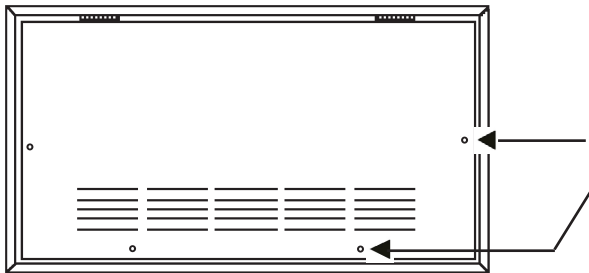
LOUVERED

(965, 966, 967, 967-4, 967-6, 967-8)



SOLID

(965-1, 966-1, 967-1, 963-1, 964-1, 967-5, 967-7)



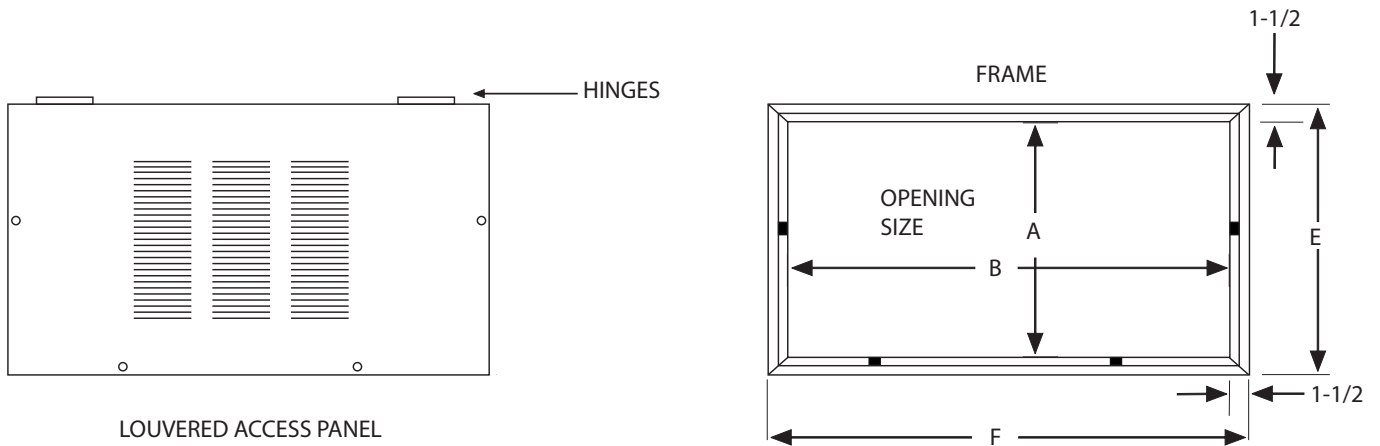
captive screws now on all panels
(screws stay in panel when opened)

FEATURES

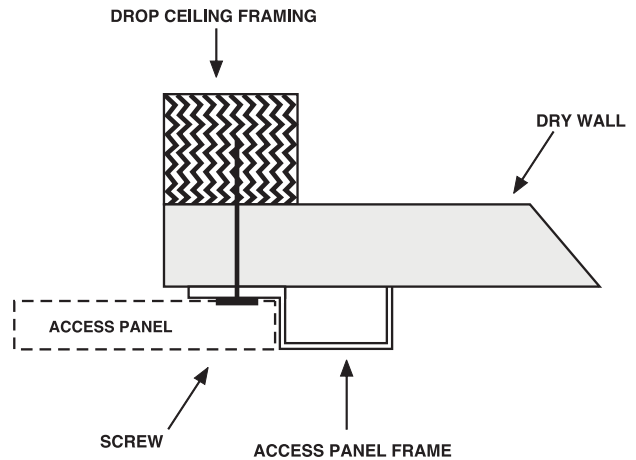
1. Louvered models available for bottom return air.
2. Hinged panel is removable from frame and can be reversed for better clearance.
3. Surface mount - does not have to perfectly match opening.
4. No frame screws show after installation.
5. Heavy gauge galvanized steel.
6. Attractive baked on white epoxy coating can be latex painted in the field.
7. Filter clips on 965, 966, and 967, accept a 20 x 20 x 1 field-provided filter. 967-8 accepts 25 x 20 x 1 field-provided filter. 967-4 has a factory installed 10 x 65 x 1 filter (permanent).

PHYSICAL DATA

| FOR FIRST CO. FAN COIL MODEL | DESCRIPTION (LOUVERED OR SOLID) | PANEL NUMBER | FRAME DIMENSIONS (OPENING) | | FRAME DIMENSIONS (OUTSIDE) | |
|---|---------------------------------------|-----------------|----------------------------------|--------|----------------------------------|--------|
| | | | A | B | E | F |
| 18,19,24HX(C), 3-6HBC, 3-6PHBC, 3HH-8HH | LOUVERED | 965 | 24-1/2 | 40 | 27-1/2 | 43 |
| | SOLID | 965-1 | | | | |
| 20,25,30HX(C), 18/19CDX-HW(C), 18/19CDX- Q(C), 8HBC, 8PHBC, 10HH | LOUVERED | 966 | 24-1/2 | 46 | 27-1/2 | 49 |
| | SOLID | 966-1 | | | | |
| 26,31,36HX(C), 24/25CDX-HW(C), 10HBC, 10PHBC, 12HH, 24/25CDX- Q(C) | LOUVERED | 967 | 24-1/2 | 52-1/2 | 27-1/2 | 55-1/2 |
| | SOLID | 967-1 | | | | |
| 30CDXQ, 36CDXQ, 13HBC, 13PHBC, 30CDX-HW, 36CDX-HW | LOUVERED | 967-4 | 24-1/2 | 67 | 27-1/2 | 70 |
| | SOLID | 967-5 | | | | |
| 30CDX-HW-C, 30CDXQ-C 32,37HX(C) | LOUVERED | 967-6 | 24-1/2 | 60 | 27-1/2 | 63 |
| | SOLID | 967-7 | | | | |
| 36/37CDX-HW-C, 36/37CDXQ-C | LOUVERED | 967-8 | 24-1/2 | 67 | 27-1/2 | 70 |
| | SOLID | 967-5 | | | | |



ACCESS PANEL FRAME INSTALLATION DETAIL



In keeping with its policy of continuous progress and product improvement, First Co. reserves the right to make changes without notice. Maintenance for all First Co. products is available under "Product Maintenance" at www.firstco.com.



FIRST CO.
P.O. BOX 270969 - DALLAS, TEXAS 75227
PH. (214) 388-5751 | FAX (214) 388-2255
WWW.FIRSTCO.COM

JULY 2024